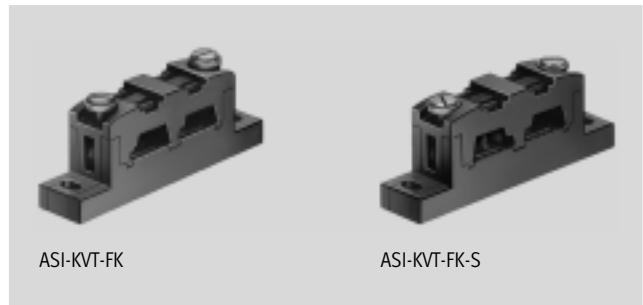


Electrical connection technology, for AS-interface

Technical data

Cable distributor ASI-KVT-FK

- Flat cable distributor for branching the AS-interface network at any desired point
- For parallel or symmetrical cable installation
- Reverse polarity protected



General technical data		
Mounting position		Any
Type of mounting		Via through-hole
Operating voltage range	[V AC]	0 ... 60
	[V DC]	0 ... 75
Acceptable current load	[A]	3
Connection type		Insulation displacement technology
Connection cross section	[mm ²]	1.5
Protection class		IP65 (fully assembled)
Product weight	[g]	7.2

Materials	
Housing	PA
Pin contacts	Bronze

Operating and environmental conditions		
Ambient temperature with flexible cable installation	[°C]	-5 ... +50
Storage temperature	[°C]	-30 ... +85

Electrical connection technology, for AS-interface

Technical data

Dimensions Download CAD data → www.festo.com

ASI-KVT-FK

- 1 Contact pins for flat cable contacting
- 2 Mounting option for inscription labels IBS-6x10

Type	B1	B2	D1	H1	H2	L1	L2	L3
ASI-KVT-FK	10	5	3.2	16.5	4.5	47	40	26

ASI-KVT-FK-S

- 1 Contact pins for flat cable contacting
- 2 Mounting option for inscription labels IBS-6x10

Type	B1	B2	D1	H1	H2	L1	L2	L3
ASI-KVT-FK-S	10	5	3.2	16.5	4.5	47	40	26

Ordering data		Part No.	Type
Parallel cable throughfeed		18786	ASI-KVT-FK
Symmetrical cable throughfeed		18797	ASI-KVT-FK-S

Ordering data – Accessories			
	Description	Part No.	Type
	Inscription labels 6x10 mm, 64 pieces, in frames	18576	IBS-6x10

Electrical connection technology, for AS-interface

Technical data

Cable distributor ASI-KVT-FKx2

- Flat cable distributor for reconnecting from AS-interface flat cable to 4-pin M12 socket
- 2 connections: M12 socket with permanently attached cable (1 m long) and M12 socket integrated in housing
- Reverse polarity protected



General technical data		
Mounting position		Any
Type of mounting		Via through-hole
		Optionally via H-rail
AS-interface connection		AS-interface flat cable plug (must be ordered separately)
		M12x1 socket, 4-pin, A-coded
Nominal operating voltage for AS-interface	[V DC]	26.5
Operating voltage range for AS-interface	[V DC]	26.5 ... 31.6
Nominal operating voltage for load voltage	[V DC]	24
Operating voltage range for load voltage	[V DC]	20.4 ... 26.4
Protection class to EN 60529		IP65 (fully assembled)
Cable length	[mm]	1,000

Materials	
Housing	Reinforced PA
Cover	Reinforced PA
Seals	PUR
Note on materials	RoHS-compliant

Operating and environmental conditions		
Ambient temperature	[°C]	-5 ... +50
Storage temperature	[°C]	-20 ... +70
Relative air humidity	[%]	5 ... 90, non-condensing, in assembled state
CE marking (see declaration of conformity)		To EU EMC Directive

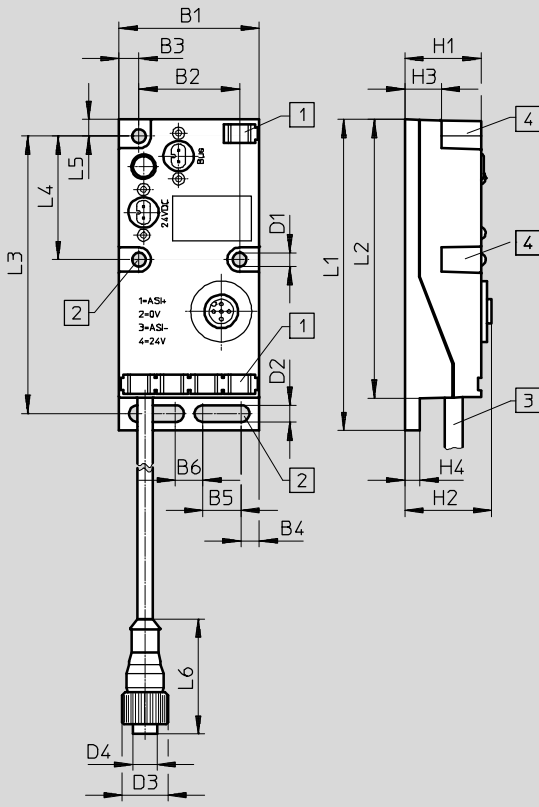
Electrical connection technology, for AS-interface

Technical data

Dimensions

Download CAD data → www.festo.com

ASI-KVT-FKx2-M12



- 1 Mounting option for inscription labels IBS-6x10
- 2 Mounting holes for surface mounting
- 3 Cable PUR-OB, 1,000 mm long
- 4 Mounting holes for ITEM profile 40 mm or other mounting option

Type	B1	B2	B3	B4	B5	B6	D1 ∅	D2	D3 ∅	D4
ASI-KVT-FKx2-M12	46	33	6.5	6	12.5	9	4.5	5.5	15	M12

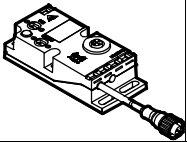
Type	H1 +0.3	H2	H3	H4	L1	L2	L3	L4	L5	L6
ASI-KVT-FKx2-M12	25	28.5	12	5	102	91.4	91	40.5	5.5	38

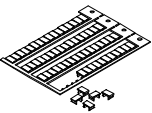
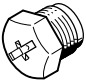
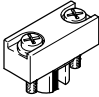
Pin allocation

AS-interface and auxiliary power supply		Pin	Signal	Pin	5-pin M12 socket and socket at the cable
1	AS-interface bus	1	AS-interface +	1	
		2	AS-interface -	3	
2	Additional power supply	1	0 V (additional supply)	2	
		2	+24 V (additional supply)	4	
			Unused	5	

Electrical connection technology, for AS-interface

Technical data

Ordering data		Product weight [g]	Part No.	Type
	Flat cable distributor for reconnecting from AS-interface flat cable to 4-pin M12 socket	190	527474	ASI-KVT-FKx2-M12

Ordering data – Accessories				
	Description	Part No.	Type	
	Inscription labels 6x10 mm, 64 pieces, in frames	18576	IBS-6x10	
	10 plugs for (non-pressure-tight) sealing of openings with M12 female thread	165592	ISK-M12	
	Mounted using 2x M2.5x6 screws For sealing unused flat cable connections	196090	ASI-SD-FK-BL	