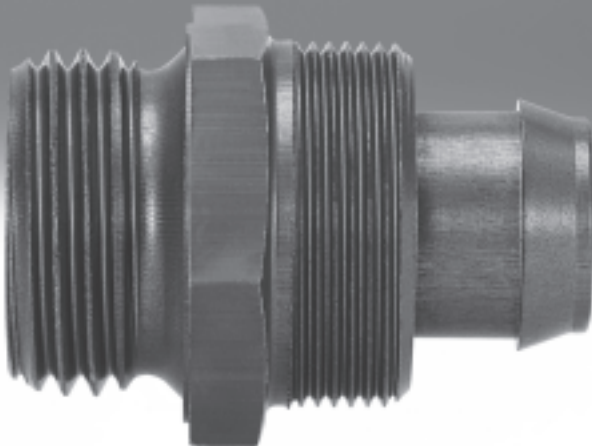


Quick connectors

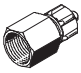


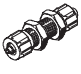

FESTO



Quick connectors CK/CX

Product range overview



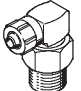
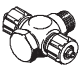
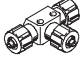

FESTO

Design	Design	Type	Connection D1		Tubing I.D.	Free of copper, PTFE and silicone	→ Page/ Internet
			M thread	G thread			
Straight	Quick connector – Female thread with sealing ring						
		ACK Metal type	–	G 1/8	3, 4, 6	■	5
				G 1/4	4, 6		
				G 3/8	6, 9		
				G 1/2	13		
	Quick connector – Male thread with sealing ring						
		CK Metal type	M5	–	3, 4	■	6
			–	G 1/8	3, 4, 6		
				G 1/4	4, 6, 9		
				G 3/8	6, 9, 13		
		G 1/2		13			
		CK-...-KU Polymer design	–	G 1/8	3, 4, 6	■	6
				G 1/4	4, 6, 9		
				G 3/8	6, 9		
	–			–			
	Bulkhead quick connector – Female thread with sealing ring						
		QCK	M5	–	3	■	7
			–	G 1/8	4		
				G 1/4	6		
				G 3/8	9		
Bulkhead quick connector							
	SCK Metal type	–	–	3, 4, 6, 9	■	8	
	SCK-...-KU Polymer design	–	–	3, 4, 6, 9	■	8	
End cap for plastic tube connectors and barbed connectors							
	CV-PK	–	–	3, 4, 6, 9	–	9	

Quick connectors CK/CX

Product range overview

FESTO

Design	Design	Type	Connection D1			Tubing I.D.	Free of copper, PTFE and silicone	→ Page/ Internet	
			M thread	R thread	G thread				
L-shape	Elbow quick connector								
		GCK-...-KU	-	R 1/8	-	4, 6	■	10	
				R 1/4		4, 6			
				R 3/8		6, 9			
	Elbow quick connector, rotatable, with 2 sealing rings								
		LCK Metal type	M5	-	-	3, 4	■	11	
						G 1/8			3, 4, 6
						G 1/4			4, 6, 9
						G 3/8			6, 9, 13
						G 1/2			13
	LCK-...-KU Polymer design	-	-	G 1/8	4, 6	■	11		
					G 1/4			4, 6	
Elbow quick connector with sealing ring (rotatable 360°)									
	LCKN	M5	-	-	3, 4	-	12		
					G 1/8			3, 4, 6	
					G 1/4			4, 6	
					G 3/8			6	
T-shape	T quick connector, rotatable, with 2 sealing rings								
		TCK Metal type	M5	-	-	3, 4	■	13	
						G 1/8			3, 4, 6
						G 1/4			4, 6
						G 3/8			6, 9
						G 1/2			13
		TCK-...-KU Polymer design	-	-	G 1/8	4, 6	■	13	
						G 1/4			4, 6
	T-distributor								
		FCK-...-KU	-	-	-	3	■	14	
	4								
	6								
	9								
Locknut for CK tube connector									
	MCK Metal type	-	-	-	3, 4, 6, 9, 13	-	15		
					MCK-...-KU Polymer design			-	-


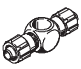
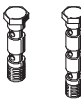



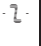

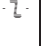

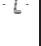
Do not use for new designs!

-  - Types ACX, CX, LCX, TCX discontinued

Quick connectors CK/CX

Product range overview

FESTO

Design	Design	Type	Connection D1		Tubing I.D.	Free of copper, PTFE and silicone	→ Page/Internet		
			M thread	G thread					
Multiple distributor	Ring piece with 2 seals								
		LK Metal type	M5	–	3	–	16		
			–	G $\frac{1}{8}$	3, 4, 6				
			–	G $\frac{1}{4}$	4, 6				
		–	G $\frac{3}{8}$	6					
		LK-...-KU Polymer design	–	G $\frac{1}{8}$	4, 6			–	16
			–	G $\frac{1}{4}$	4, 6				
	Ring piece with 2 seals								
		TK Metal type	M5	–	3, 4	–	17		
			–	G $\frac{1}{8}$	3, 4, 6				
			–	G $\frac{1}{4}$	4, 6				
		–	G $\frac{3}{8}$	6					
TK-...-KU Polymer design		–	G $\frac{1}{8}$	4, 6	–			17	
		–	G $\frac{1}{4}$	4, 6					
Hollow bolt with 2 ring pieces									
	VT-...-2 2 ring pieces	M5	G $\frac{1}{8}$	3, 4, 6	–	18			
		–	G $\frac{1}{4}$	4, 6					
		–	G $\frac{3}{8}$	6					
	VT-...-3 3 ring pieces	M5	G $\frac{1}{8}$	3, 4, 6			–	18	
		–	G $\frac{1}{4}$	4, 6					
		–	G $\frac{3}{8}$	6					
For metal braided hoses PX									
Straight	Quick connector								
		ACX 	–	G $\frac{1}{8}$	4	–	19		
			–	G $\frac{1}{4}$	6				
			–	G $\frac{3}{8}$	9				
	Quick connector								
		CX 	–	G $\frac{1}{8}$	4, 6	–	19		
–			G $\frac{1}{4}$	4, 6					
–			G $\frac{3}{8}$	9					
L-shape	Elbow quick connector								
		LCX 	–	G $\frac{1}{8}$	4	–	20		
			–	G $\frac{1}{4}$	6				
			–	G $\frac{3}{8}$	9				
T-shape	T quick connector								
		TCX 	–	G $\frac{1}{8}$	4	–	20		
			–	G $\frac{1}{4}$	6				
			–	G $\frac{3}{8}$	9				

Quick connectors ACK

Technical data

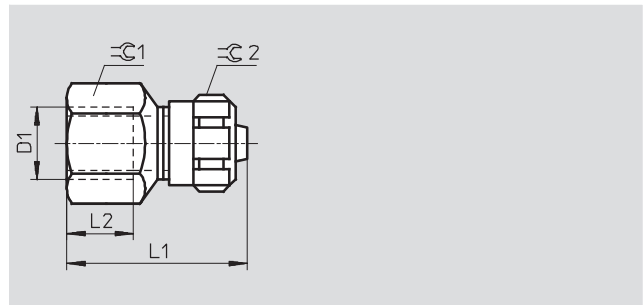
Quick connector ACK

Female thread with sealing ring

Material:

Blue anodised aluminium

Free of copper and PTFE



Dimensions and ordering data									
Connection D1	Nominal size [mm]	Tubing I.D.	L1	L2	⌀C1	⌀C2	Part No.	Type	PU*
G $\frac{1}{8}$	2.4	3	23.9	9	13	8	5664	ACK- $\frac{1}{8}$ -PK-3	10
	3.4	4	27	9	13	12	3714	ACK- $\frac{1}{8}$ -PK-4	10
	5.3	6	27	9	13	14	7842	ACK- $\frac{1}{8}$ -PK-6	10
G $\frac{1}{4}$	3.4	4	30	12	17	12	3713	ACK- $\frac{1}{4}$ -PK-4	10
	5.3	6	30	12	17	14	3712	ACK- $\frac{1}{4}$ -PK-6	10
G $\frac{3}{8}$	5.3	6	31	12	19	14	3711	ACK- $\frac{3}{8}$ -PK-6	10
	8	9	37.4	15	19	19	3710	ACK- $\frac{3}{8}$ -PK-9	1
G $\frac{1}{2}$	12	13	40.2	15	27	24	4099	ACK- $\frac{1}{2}$ -PK-13	1

* Packaging unit quantity

Quick connectors CK

Technical data

FESTO

Quick connector CK

Male thread with sealing ring

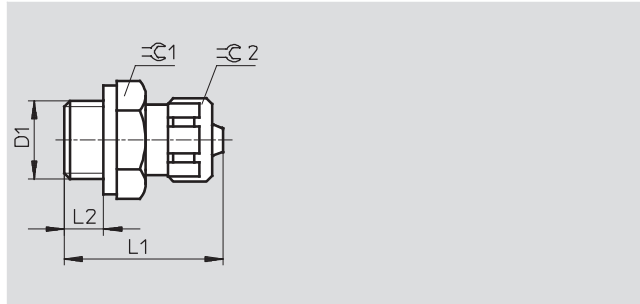
Material:

M thread: Steel, aluminium

G thread: Blue anodised aluminium

Free of copper and PTFE

Certification: Germanischer Lloyd



Quick connector CK...-KU

Male thread with moulded-on sealing ring

Material:

Polyacetate

Free of copper and PTFE

Conforms to RoHS

Pressure range: 0 ... 10 bar

Temperature range: -10 ... +60 °C

Certification: Germanischer Lloyd

Dimensions and ordering data									
Connection	Nominal size	Tubing I.D.	L1	L2	∅C	∅C1	Part No.	Type	PU*
D1	[mm]								
Metal design									
M5	2.0	3	19.3	3.8	7	8	3561	CK-M5-PK-3	10
	2.9	4	21.5	3.8	10	-	3562	CK-M5-PK-4	10
G ¹ / ₈	2.0	3	21.6	4.9	13	8	3563	CK- ¹ / ₈ -PK-3	10
	2.9	4	24.7	4.9	13	12	2027	CK- ¹ / ₈ -PK-4	10
	4.9	6	24.8	4.9	13	14	2028	CK- ¹ / ₈ -PK-6	10
G ¹ / ₄	2.9	4	27.2	5.8	17	12	2029	CK- ¹ / ₄ -PK-4	10
	4.9	6	27.3	5.8	17	14	2030	CK- ¹ / ₄ -PK-6	10
	8	9	30.6	5.8	17	19	2031	CK- ¹ / ₄ -PK-9	10
G ³ / ₈	4.9	6	28.3	6.8	19	14	2032	CK- ³ / ₈ -PK-6	10
	8	9	31.6	6.8	19	19	2033	CK- ³ / ₈ -PK-9	10
	11.7	13	33.2	6.8	24	24	4097	CK- ³ / ₈ -PK-13	10
G ¹ / ₂	11.7	13	34.7	8.5	24	24	4098	CK- ¹ / ₂ -PK-13	1
Polymer design									
G ¹ / ₈	2.4	3	22.2	6.5	13	8	6253	CK- ¹ / ₈ -PK-3-KU	10
	3.4	4	25.3	6.5	13	12	6254	CK- ¹ / ₈ -PK-4-KU	10
	4.4	6	25.4	6.5	13	14	6255	CK- ¹ / ₈ -PK-6-KU	10
G ¹ / ₄	3.4	4	28.5	8.5	17	12	6256	CK- ¹ / ₄ -PK-4-KU	10
	5.3	6	28.6	8.5	17	14	6257	CK- ¹ / ₄ -PK-6-KU	10
	7.3	9	31.9	8.5	17	19	6258	CK- ¹ / ₄ -PK-9-KU	10
G ³ / ₈	5.3	6	31	10.5	19	14	6460	CK- ³ / ₈ -PK-6-KU	10
	8	9	34.5	10.5	19	19	6468	CK- ³ / ₈ -PK-9-KU	10

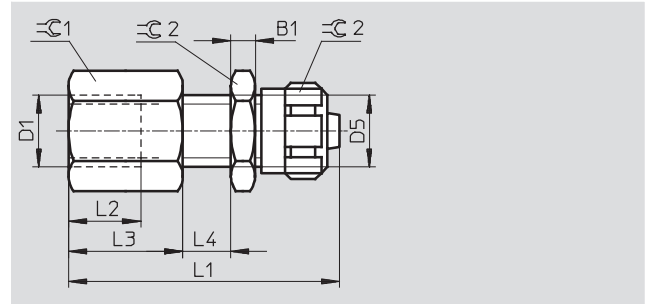
* Packaging unit quantity

Bulkhead quick connectors QCK

Technical data

Bulkhead quick connector QCK
Female thread with sealing ring

Material:
Blue anodised aluminium/steel
Free of copper and PTFE



Dimensions and ordering data														
Connection	Nominal size	Tubing I.D.	B1	D5	L1	L2	L3	L4	∅C1	∅C2	∅C3	Part No.	Type	PU*
D1	[mm]							max.						
M5	2.4	3	3.2	M6x0.75	31	6	10	8	7	8	10	9424	QCK-M5-PK-3-B	1
G ¹ / ₈	3.4	4	3.5	M10x1	40	8	13.5	10	13	12	13	9425	QCK- ¹ / ₈ -PK-4-B	1
G ¹ / ₄	5.3	6	4	M12x1	45	12	18	10	17	14	17	9426	QCK- ¹ / ₄ -PK-6-B	1
G ³ / ₈	8	9	5	M16x1	50	12	18.6	10	19	19	22	9427	QCK- ³ / ₈ -PK-9-B	1

* Packaging unit quantity

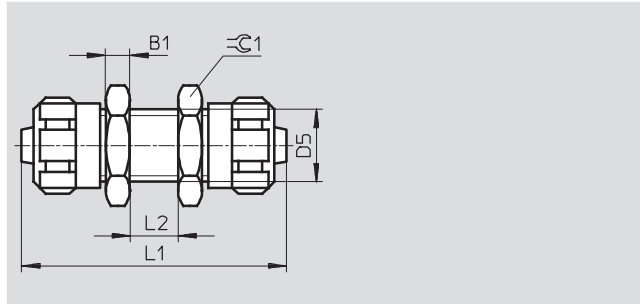
Bulkhead quick connectors SCK

Technical data



Bulkhead quick connector SCK

Material:
Blue anodised aluminium/steel
Free of copper and PTFE



Bulkhead quick connector SCK-...-KU with moulded-on sealing ring

Material:
Polyacetate
Free of copper and PTFE
Conforms to RoHS

Pressure range: 0 ... 10 bar
Temperature range: -10 ... +60 °C

Dimensions and ordering data									
Nominal size	Tubing I.D.	B1	D5	L1	L2 max.	☉1	Part No.	Type	PU*
[mm]									
Aluminium design									
2.4	3	3.2	M6x0.75	34	8	10	9420	SCK-PK-3	1
3.4	4	3.5	M10x1	43	10	13	9421	SCK-PK-4	1
5.3	6	4	M12x1	44	10	17	9422	SCK-PK-6	1
8	9	5	M16x1	53	10	22	9423	SCK-PK-9	1
Polymer design									
2.4	3	5	M10x1 ¹⁾	41	10	13	9387	SCK-PK-3-KU	10
3.4	4	5	M10x1	46		13	9388	SCK-PK-4-KU	10
5.3	6	6	M12x1	48		17	9389	SCK-PK-6-KU	10
8	9	7	M16x1	57		22	9390	SCK-PK-9-KU	1

* Packaging unit quantity

1) Installation diameter varies from aluminium version

End caps CV

Technical data

End cap CV

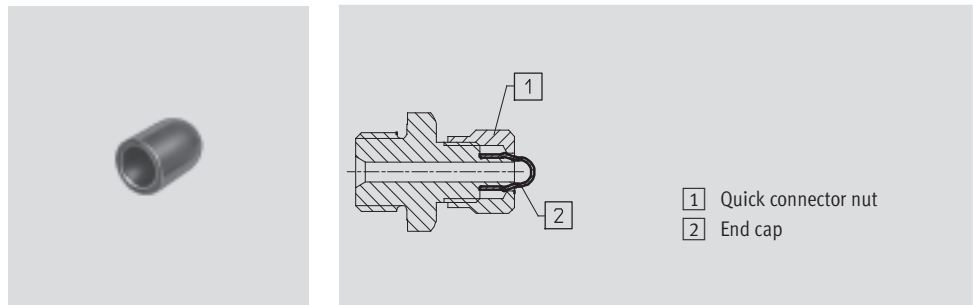
for sealing barbed fittings and connectors for polymer tubing

Material:

Polyurethane

Free of copper and PTFE

Conforms to RoHS



- 1 Quick connector nut
- 2 End cap

Dimensions and ordering data				
Tubing I.D.	Weight/piece [g]	Part No.	Type	PU*
3	0.001	6213	CV-PK-3-B	10
4	0.001	6214	CV-PK-4-B	10
6	0.001	6215	CV-PK-6-B	10
9	0.002	6216	CV-PK-9-B	10

Operating conditions (permissible static pressure)								
Type	CV-PK-3-B ... CV-PK-6-B						CV-PK-9-B	
Operating pressure [bar]	10	10	8	7	6	6	4	
Ambient temperature [°C]	-35	+20	+40	+60	+80	+60	+80	

* Packaging unit quantity

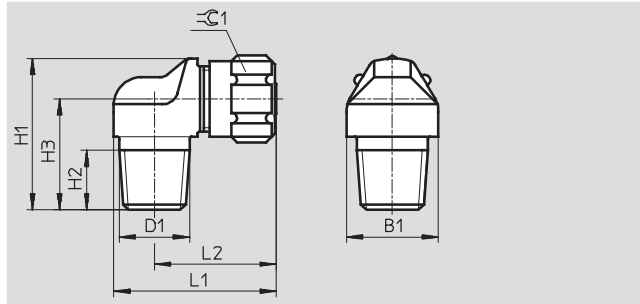
Elbow quick connectors GCK

Technical data

Elbow quick connector
GCK-...-KU

Material:
Polyacetate
Free of copper and PTFE
Conforms to RoHS

Pressure range: 0 ... 10 bar
Temperature range: -10 ... +60 °C



Dimensions and ordering data												
Connection D1	Nominal size [mm]	Tubing I.D.	B1	H1	H2	H3	L1	L2	$\sqrt{\text{C1}}$	Part No.	Type	PU*
R $\frac{1}{8}$	2.9	4	13	22.5	8	16.5	26.5	20.5	20.5	6267	GCK- $\frac{1}{8}$ -PK-4-KU	10
	4.9	6	17	24.5	8	17.5	28.5	21.5	21.5	6268	GCK- $\frac{1}{8}$ -PK-6-KU	10
R $\frac{1}{4}$	2.9	4	17	25.5	11	19.5	30	22.5	22.5	6269	GCK- $\frac{1}{4}$ -PK-4-KU	10
	4.9	6	17	27.5	11	20.5	30	22.5	22.5	6270	GCK- $\frac{1}{4}$ -PK-6-KU	10
R $\frac{3}{8}$	4.9	6	19	28.5	10.5	21	34	24.5	24.5	6271	GCK- $\frac{3}{8}$ -PK-6-KU	10
	8	9	19	33.5	10.5	23.5	37.2	27.7	27.7	6272	GCK- $\frac{3}{8}$ -PK-9-KU	10

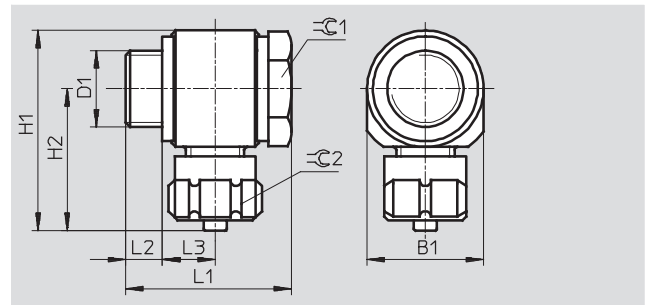
* Packaging unit quantity

Elbow quick connectors LCK

Technical data

Elbow quick connector LCK
rotatable with 2 sealing rings

Material:
Die-cast zinc
Free of copper and PTFE



Elbow quick connector LCK-...-KU
rotatable with moulded-on sealing ring

Material:
Polyacetate
Free of copper and PTFE

Pressure range: 0 ... 10 bar
Temperature range: -10 ... +60 °C

Dimensions and ordering data													
Connection D1	Nominal size [mm]	Tubing I.D.	B1	H1	H2	L1	L2	L3	≈C1	≈C2	Part No.	Type	PU*
Die-cast zinc design													
M5	2.4	3	10	21.1	16.1	17.2	3.8	5.2	7	8	4468	LCK-M5-PK-3	10
	2.4	4	11	21.1	16.1	18	3.8	5.6	7	8	4562	LCK-M5-PK-4	10
G $\frac{3}{8}$	2	3	16	27.1	19.1	21.1	4.9	6.1	13	8	4136	LCK- $\frac{3}{8}$ -PK-3	10
	2.9	4	16	30.2	22.2	27.1	4.9	9.1	13	12	4469	LCK- $\frac{3}{8}$ -PK-4	10
	4.9	6	16	30.3	22.3	27.1	4.9	9.1	13	14	4470	LCK- $\frac{3}{8}$ -PK-6	10
G $\frac{1}{4}$	2.9	4	20	34.2	24.2	28.1	5.7	9.2	17	12	4471	LCK- $\frac{1}{4}$ -PK-4	10
	4.9	6	20	34.3	24.3	28.1	5.5	9.3	17	14	4472	LCK- $\frac{1}{4}$ -PK-6	10
	8	9	20	37.6	27.6	33.3	5.7	11.8	17	19	11452	LCK- $\frac{1}{4}$ -PK-9	10
G $\frac{3}{8}$	4.9	6	25	39.3	26.8	30.3	6.7	9.3	22	14	4473	LCK- $\frac{3}{8}$ -PK-6	1
	8	9	25	42.6	30.1	35.3	6.7	11.8	22	19	4474	LCK- $\frac{3}{8}$ -PK-9	1
G $\frac{1}{2}$	11.7	13	30	49.2	34.2	46.6	7.9	16.85	27	24	4100	LCK- $\frac{1}{2}$ -PK-13	1
Polymer design													
G $\frac{3}{8}$	3.4	4	16	30.5	22.5	27.5	7.1	8.25	13	12	6259	LCK- $\frac{3}{8}$ -PK-4-KU	10
	5.3	6	16	30.5	22.5	27.5	7.1	8.25	13	14	6260	LCK- $\frac{3}{8}$ -PK-6-KU	10
G $\frac{1}{4}$	3.4	4	20	34.5	24.5	28.5	8.1	8.25	17	12	6261	LCK- $\frac{1}{4}$ -PK-4-KU	10
	5.3	6	20	34.5	24.5	28.5	8.1	8.25	17	14	6262	LCK- $\frac{1}{4}$ -PK-6-KU	10

* Packaging unit quantity

Elbow quick connectors LCKN

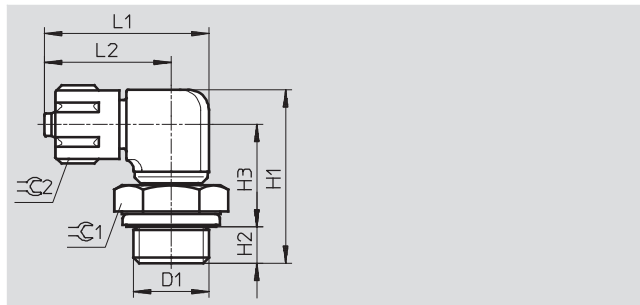
Technical data

Elbow quick connector LCKN
rotatable with sealing ring OL-...

Material:
Die-cast zinc/aluminium with sealing ring

Pressure range: -0.9 ... 16 bar
Temperature range: -20 ... +80 °C

Note: Cannot be used as a rotary distributor.



Dimensions and ordering data												
Connection D1	Nominal size [mm]	Tubing I.D.	H1	H2	H3	L1	L2	∅C1	∅C2	Part No.	Type	PU*
M5	1.7	3	22.2	3.55	15.15	20.1	16.1	7	8	164995	LCKN-M5-PK-3	10
	2.6	4	24.3	3.55	15.75	23.2	19.2	7	-	164996	LCKN-M5-PK-4	10
G ¹ / ₈	1.7	3	24.6	4.7	15.9	25.4	18.9	13	8	164997	LCKN- ¹ / ₈ -PK-3	10
	2.6	4	27	4.7	16.3	28.5	22	13	12	164998	LCKN- ¹ / ₈ -PK-4	10
	4.6	6	30.3	4.7	18.6	28.6	22.1	13	14	164999	LCKN- ¹ / ₈ -PK-6	10
G ¹ / ₄	2.6	4	29.5	5.8	17.7	28.5	22	17	12	165000	LCKN- ¹ / ₄ -PK-4	10
	4.6	6	32.8	5.8	20.0	28.6	22.1	17	14	165001	LCKN- ¹ / ₄ -PK-6	10
G ³ / ₈	4.6	6	33.8	6.0	20.8	28.6	22.1	19	14	165002	LCKN- ³ / ₈ -PK-6	1

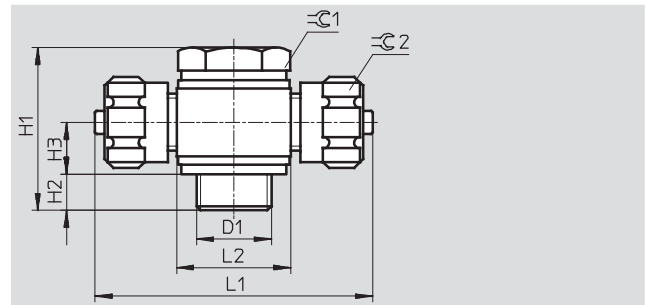
* Packaging unit quantity

T quick connectors TCK

Technical data

T quick connector TCK rotatable

Material:
Die-cast zinc with 2 sealing rings
Thread G $\frac{3}{8}$ and G $\frac{1}{2}$ aluminium, blue
anodised
Free of copper and PTFE



T quick connector TCK-...-KU rotatable with moulded-on sealing ring

Material:
Polyacetate
Free of copper and PTFE

Pressure range: 0 ... 10 bar
Temperature range: -10 ... +60 °C

Dimensions and ordering data												
Connection D1	Nominal size [mm]	Tubing I.D.	H1	H2	H3	L1	L2	⌀C1	⌀C2	Part No.	Type	PU*
Die-cast zinc design												
M5	2	3	17.2	3.8	5.2	32.2	10	7	8	4484	TCK-M5-PK-3	10
	2	4	18	3.8	5.6	39.4	11	7	8	4563	TCK-M5-PK-4	10
G $\frac{3}{8}$	2	3	21.1	4.9	6.1	38.2	16	13	8	4137	TCK- $\frac{3}{8}$ -PK-3	10
	2.9	4	27.1	4.9	9.1	44.4	16	13	12	4485	TCK- $\frac{3}{8}$ -PK-4	10
	4.9	6	27.1	4.9	9.1	44.6	16	13	14	4486	TCK- $\frac{3}{8}$ -PK-6	10
G $\frac{1}{4}$	2.9	4	28.1	5.7	9.2	48.4	20	17	12	4487	TCK- $\frac{1}{4}$ -PK-4	10
	4.9	6	28.1	5.5	9.3	48.6	20	17	14	4488	TCK- $\frac{1}{4}$ -PK-6	10
Aluminium design												
G $\frac{3}{8}$	4.9	6	30.3	6.7	9.3	53.6	25	22	14	4489	TCK- $\frac{3}{8}$ -PK-6	1
	8	9	35.3	6.7	11.8	60.2	25	22	14	4490	TCK- $\frac{3}{8}$ -PK-9	1
G $\frac{1}{2}$	11.7	13	46.6	7.9	16.9	68.4	30	27	24	4101	TCK- $\frac{1}{2}$ -PK-13	1
Polymer design												
G $\frac{3}{8}$	3.4	4	27.5	7.1	8.25	45	16	13	12	6263	TCK- $\frac{3}{8}$ -PK-4-KU	10
	5.3	6	27.5	7.1	8.25	45	16	13	14	6264	TCK- $\frac{3}{8}$ -PK-6-KU	10
G $\frac{1}{4}$	3.4	4	28.5	8.1	8.25	49	20	17	12	6265	TCK- $\frac{1}{4}$ -PK-4-KU	10
	5.3	6	28.5	8.1	8.25	49	20	17	14	6266	TCK- $\frac{1}{4}$ -PK-6-KU	10

* Packaging unit quantity

T quick connectors FCK

Technical data

FESTO

T-distributor FCK-...-KU

Material:

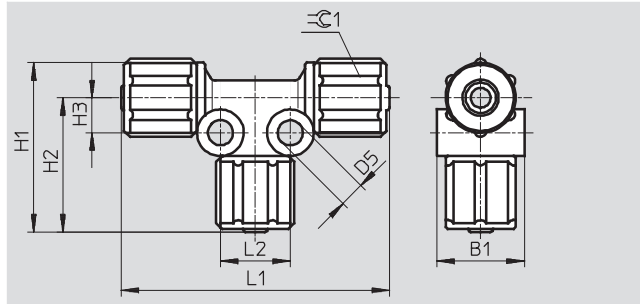
Polymer

Free of copper and PTFE

Conforms to RoHS

Pressure range: 0 ... 10 bar

Temperature range: -10 ... +60 °C



Dimensions and ordering data												
Tubing I.D.	Nominal size [mm]	B1	D5	H1	H2	H3	L1	L2	$\pm \varnothing 1$	Part No.	Type	PU*
3	2.4	11	4.3	23.8	19.8	5	39.6	10	8	6273	FCK-3-PK-3-KU	10
4	3.4	15	4.3	30.2	24.2	6	48.4	12	12	6274	FCK-3-PK-4-KU	10
6	5.3	18	4.3	31.2	24.2	6	48.4	12	14	6275	FCK-3-PK-6-KU	10
9	8	22	4.3	38.3	28.8	7.1	56.4	13	19	6276	FCK-3-PK-9-KU	10

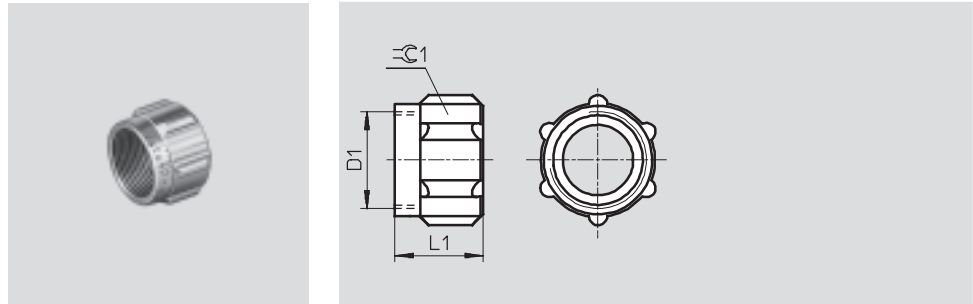
* Packaging unit quantity

Locknuts MCK

Technical data

Locknut MCK
for tube connectors

Material:
Blue anodised aluminium
Free of copper and PTFE
Conforms to RoHS



Locknut MCK-...-KU
for tube connectors

Material:
Polymer design
Free of copper and PTFE
Conforms to RoHS

Dimensions and ordering data						
Tubing I.D.	D1	L1	G1	Part No.	Type	PU*
Aluminium design						
3	M6x0.75	8.5	8	205254	MCK-PK-3	1
4	M10x1	11	12	2965	MCK-PK-4 ¹⁾	1
4	M8x1	9.5	-	205257	MCK-PK-4-R ²⁾	1
6	M12x1	11	14	2966	MCK-PK-6	1
9	M16x1	14.4	19	2967	MCK-PK-9	1
13	M22x1	18	24	206504	MCK-PK-13	1
Polymer design						
3	M6x0.75	9.5	8	211289	MCK-PK-3-KU	1
4	M10x1	12.5	12	211291	MCK-PK-4-KU ¹⁾	1
6	M12x1	12.5	14	211292	MCK-PK-6-KU	1
9	M16x1	16	19	211293	MCK-PK-9-KU	1

* Packaging unit quantity

- 1) except for connectors CK-M5-PK-4, LCK-M5-PK-4, TCK-M5-PK-4
- 2) for connectors CK-M5-PK-4, LCK-M5-PK-4, TCK-M5-PK-4

Multiple distributors

Technical data

FESTO

Hollow bolt VT with ring piece LK
(one outlet connection)

Materials:

Hollow bolt: Galvanised steel

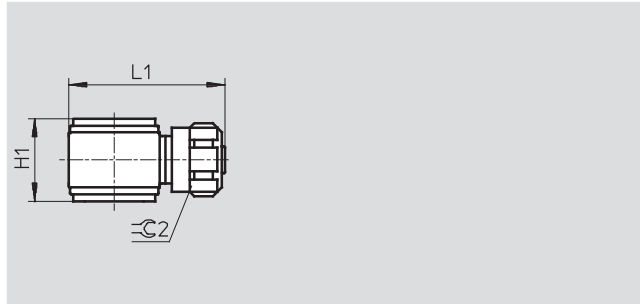
Ring piece LK: Die-cast zinc

Ring piece LK-...-KU: Polymer

Free of copper and PTFE

Certification:

Ring piece LK: Germanischer Lloyd



Ordering data				Dimensions → 18			
Hollow bolt				Ring piece			
Pneumatic connection	No. of ring pieces	Part No.	Type	Pneumatic connection	Part No.	Type	PU*
Die-cast zinc design							
M5	2	206145	VT-M5-2 ³⁾	for 3 mm tubing	4475	LK-M5-PK-3 ¹⁾	10
	3	4594	VT-M5-3 ³⁾		4597	LK-1/8-PK-3 ¹⁾	10
G1/8	2	4593	VT-1/8-2-PK-3 ³⁾	for 3 mm tubing			
	3	4595	VT-1/8-3-PK-3				
G1/8	2	206146	VT-1/8-2 ³⁾	for 4 mm tubing	4476	LK-1/8-PK-4 ¹⁾	10
	3	4596	VT-1/8-3 ³⁾				
G1/8	2	206146	VT-1/8-2 ³⁾	for 6 mm tubing	4477	LK-1/8-PK-6 ¹⁾	10
	3	4596	VT-1/8-3 ³⁾				
G1/4	2	206147	VT-1/4-2 ³⁾	for 4 mm tubing	4478	LK-1/4-PK-4 ¹⁾	10
	3	2335	VT-1/4-3 ³⁾				
G1/4	2	206147	VT-1/4-2 ³⁾	for 6 mm tubing	4479	LK-1/4-PK-6 ¹⁾	10
	3	2335	VT-1/4-3 ³⁾				
G3/8	2	206148	VT-3/8-2 ³⁾	for 6 mm tubing	4480	LK-3/8-PK-6 ¹⁾	1
	3	2336	VT-3/8-3 ³⁾				
Polymer design							
G1/8	2	206146	VT-1/8-2 ³⁾	for 4 mm tubing	6280	LK-1/8-PK-4-KU ^{2) 3)}	10
	3	4596	VT-1/8-3 ³⁾				
G1/8	2	206146	VT-1/8-2 ³⁾	for 6 mm tubing	6281	LK-1/8-PK-6-KU ^{2) 3)}	10
	3	4596	VT-1/8-3 ³⁾				
G1/4	2	206147	VT-1/4-2 ³⁾	for 4 mm tubing	6282	LK-1/4-PK-4-KU ^{2) 3)}	10
	3	2335	VT-1/4-3 ³⁾				
G1/4	2	206147	VT-1/4-2 ³⁾	for 6 mm tubing	6283	LK-1/4-PK-6-KU ^{2) 3)}	10
	3	2335	VT-1/4-3 ³⁾				

* Packaging unit quantity

1) with 2 sealing rings

2) with moulded-on sealing ring, pressure range 0...10 bar, temperature range -10...+60 °C

3) Conforms to RoHS

Multiple distributors

Technical data

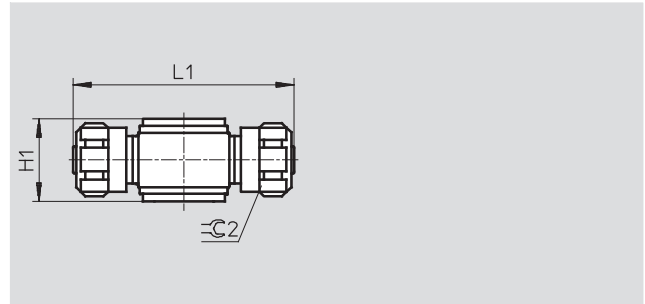
Hollow bolt VT with ring piece TK (2 outlet connections)

Materials:

Hollow bolt: Galvanised steel
 Ring piece TK: Die-cast zinc
 Ring piece TK-...-KU: Polymer
 Free of copper and PTFE

Certification:

Ring piece TK: Germanischer Lloyd



Ordering data				Dimensions → 18			
Hollow bolt				Ring piece			
Pneumatic connection	No. of ring pieces	Part No.	Type	Pneumatic connection	Part No.	Type	PU*
Die-cast zinc design							
M5	2	206145	VT-M5-2 ³⁾	for 3 mm tubing	4491	TK-M5-PK-3 ¹⁾	10
	3	4594	VT-M5-3 ³⁾		4491	TK-M5-PK-3 ¹⁾	10
G ¹ / ₈	2	4593	VT- ¹ / ₈ -2-PK-3 ³⁾	for 3 mm tubing	4598	TK- ¹ / ₈ -PK-3 ¹⁾	10
	3	4595	VT- ¹ / ₈ -3-PK-3		4598	TK- ¹ / ₈ -PK-3 ¹⁾	10
	2	206146	VT- ¹ / ₈ -2 ³⁾	for 4 mm tubing	4492	TK- ¹ / ₈ -PK-4 ¹⁾	10
	3	4596	VT- ¹ / ₈ -3 ³⁾		4492	TK- ¹ / ₈ -PK-4 ¹⁾	10
	2	206146	VT- ¹ / ₈ -2 ³⁾	for 6 mm tubing	4493	TK- ¹ / ₈ -PK-6 ¹⁾	10
	3	4596	VT- ¹ / ₈ -3 ³⁾		4493	TK- ¹ / ₈ -PK-6 ¹⁾	10
G ¹ / ₄	2	206147	VT- ¹ / ₄ -2 ³⁾	for 4 mm tubing	4494	TK- ¹ / ₄ -PK-4 ¹⁾	10
	3	2335	VT- ¹ / ₄ -3 ³⁾		4494	TK- ¹ / ₄ -PK-4 ¹⁾	10
	2	206147	VT- ¹ / ₄ -2 ³⁾	for 6 mm tubing	4495	TK- ¹ / ₄ -PK-6 ¹⁾	10
	3	2335	VT- ¹ / ₄ -3 ³⁾		4495	TK- ¹ / ₄ -PK-6 ¹⁾	10
G ³ / ₈	2	206148	VT- ³ / ₈ -2 ³⁾		4496	TK- ³ / ₈ -PK-6 ¹⁾	1
Polymer design							
G ¹ / ₈	2	206146	VT- ¹ / ₈ -2 ³⁾	for 4 mm tubing	6284	TK- ¹ / ₈ -PK-4-KU ^{2) 3)}	10
	3	4596	VT- ¹ / ₈ -3 ³⁾		6284	TK- ¹ / ₈ -PK-4-KU ^{2) 3)}	10
	2	206146	VT- ¹ / ₈ -2 ³⁾	for 6 mm tubing	6285	TK- ¹ / ₈ -PK-6-KU ^{2) 3)}	10
	3	4596	VT- ¹ / ₈ -3 ³⁾		6285	TK- ¹ / ₈ -PK-6-KU ^{2) 3)}	10
G ¹ / ₄	2	206147	VT- ¹ / ₄ -2 ³⁾	for 4 mm tubing	6286	TK- ¹ / ₄ -PK-4-KU ^{2) 3)}	10
	3	2335	VT- ¹ / ₄ -3 ³⁾		6286	TK- ¹ / ₄ -PK-4-KU ^{2) 3)}	10
	2	206147	VT- ¹ / ₄ -2 ³⁾	for 6 mm tubing	6287	TK- ¹ / ₄ -PK-6-KU ^{2) 3)}	10
	3	2335	VT- ¹ / ₄ -3 ³⁾		6287	TK- ¹ / ₄ -PK-6-KU ^{2) 3)}	10

* Packaging unit quantity

1) with 2 sealing rings

2) with moulded-on sealing ring, pressure range 0...10 bar, temperature range -10...+60 °C

3) Conforms to RoHS

Multiple distributors

Technical data

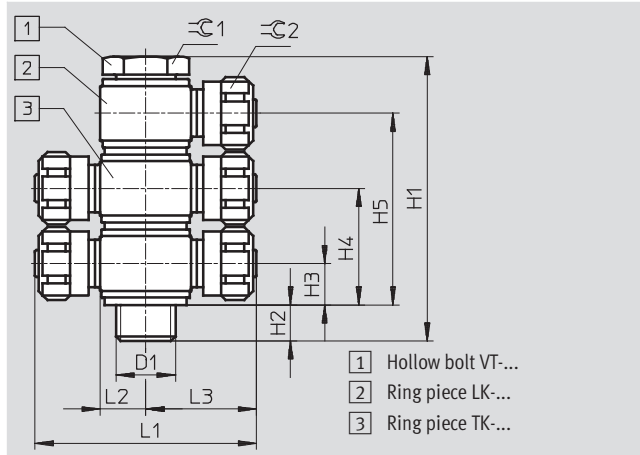
Multiple distributor

consisting of:

- Hollow bolt VT and ring piece LK
→ 16

or

- Hollow bolt VT and ring piece TK
→ 17



Dimensions																
Connection D1	Hollow bolt Type	Ring piece Type	H1	H2	H3	H4	H5	L1	L2	L3	≙C1	≙C2				
M5	VT-M5-2	LK-M5-PK-3	27.3	4	5.2	15.1	-	-	5	16.1	7	8				
		TK-M5-PK-3							32.2							
	VT-M5-3	LK-M5-PK-3	37.1	3.9	5.2	15.1	25	-	5	16.1	7	8				
		TK-M5-PK-3							32.2							
G3/8	VT-1/8-2-PK-3	LK-1/8-PK-3	31.8	5	6.1	16.7	-	-	8	19.1	13	8				
		TK-1/8-PK-3							38.2							
	VT-1/8-3-PK-3	LK-1/8-PK-3	42.4	5	6.1	16.7	27.3	-	8	19.1	13	8				
		TK-1/8-PK-3							38.2							
	VT-1/8-2	LK-1/8-PK-4	44	5.2	9.1	25.7	-	-	8	22.2	13	12				
									TK-1/8-PK-4				44.4			
		LK-1/8-PK-6							8	22.3			14			
									TK-1/8-PK-6					44.6		
	VT-1/8-3	LK-1/8-PK-4	60.8	5.4	9.1	25.7	42.3	-	8	22.2	13	12				
									TK-1/8-PK-4				44.4			
		LK-1/8-PK-6							8	22.3			14			
									TK-1/8-PK-6					44.6		
G1/4	VT-1/4-2	LK-1/4-PK-4	44.7	6.1	9.2	25.4	-	-	10	24.2	17	12				
		TK-1/4-PK-4							48.4							
		LK-1/4-PK-6		5.7	9.3	25.7			10	24.3			14			
				TK-1/4-PK-6					48.6							
	VT-1/4-3	LK-1/4-PK-4	61.9	6.1	9.2	25.4	41.6	-	10	24.2	17	12				
									TK-1/4-PK-4				48.4			
		LK-1/4-PK-6		5.5	9.3	25.7			42.1	10			24.3	14		
				TK-1/4-PK-6						48.6						
G3/8	VT-3/8-2	LK-3/8-PK-6	46.9	6.9	9.3	25.7	-	-	12.5	26.8	22	14				
		TK-3/8-PK-6							53.6							
	VT-3/8-3	LK-3/8-PK-6	63.1	6.7	9.3	25.7			42.1	-			12.5	26.8	22	14
													TK-3/8-PK-6			

- 2 - Type discontinued
Available up until 2011

FESTO

Quick connectors ACX/CX, metal braided hose

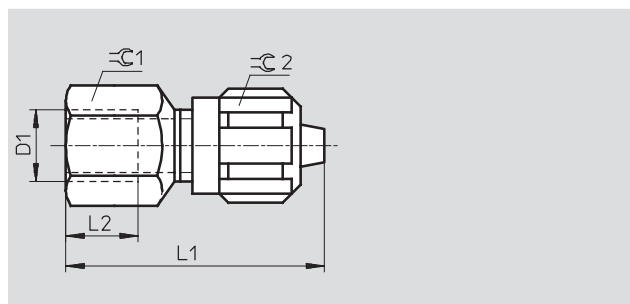
Technical data

Quick connector ACX

Female thread with sealing ring for metal braided hose PX

Material:

Anodised aluminium



Dimensions and ordering data

Connection D1	Nominal size [mm]	Tubing I.D.	L1	L2	⌀C1	⌀C2	Part No.	Type	PU*
G $\frac{1}{8}$	3.5	4	35	10	13	12	4032	ACX- $\frac{1}{8}$ -PX-4	1
G $\frac{1}{4}$	5	6	43	12	17	14	4033	ACX- $\frac{1}{4}$ -PX-6	1
G $\frac{3}{8}$	8	9	54	15	22	19	4034	ACX- $\frac{3}{8}$ -PX-9	1

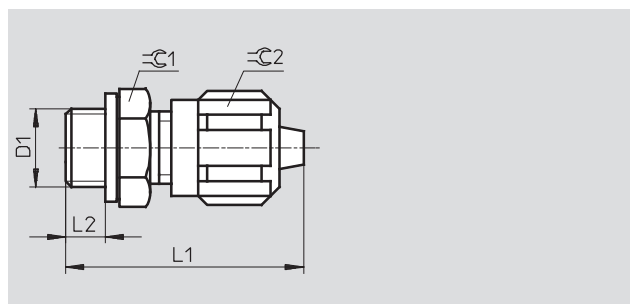
* Packaging unit quantity

Quick connector CX

Male thread with sealing ring for metal braided hose PX

Material:

Anodised aluminium



Dimensions and ordering data

Connection D1	Nominal size [mm]	Tubing I.D.	L1	L2	⌀C1	⌀C2	Part No.	Type	PU*
G $\frac{1}{8}$	3.5	4	31.5	4.9	13	12	4035	CX- $\frac{1}{8}$ -PX-4	10
	5	6	36.5	4.9	13	14	4453	CX- $\frac{1}{8}$ -PX-6	10
G $\frac{1}{4}$	3.5	4	34	5.8	17	12	4454	CX- $\frac{1}{4}$ -PX-4	10
	5	6	39	5.8	17	14	4036	CX- $\frac{1}{4}$ -PX-6	10
G $\frac{3}{8}$	8	9	47	6.8	22	19	4037	CX- $\frac{3}{8}$ -PX-9	1

* Packaging unit quantity

- 1 - Type discontinued
Available up until 2011

Quick connectors LCX/TCX, metal braided hose

FESTO

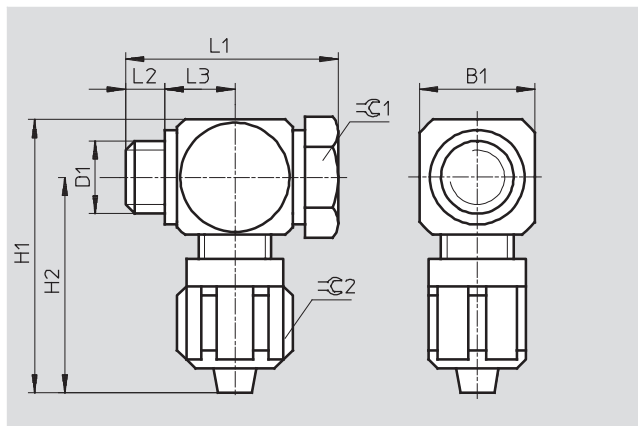
Technical data

Elbow quick connector LCX

rotatable with 2 sealing rings for
metal braided hose PX

Material:

Anodised aluminium



Dimensions and ordering data													
Connection D1	Nominal size [mm]	Tubing I.D.	B1	L1	L2	L3	H1	H2	≅C1	≅C2	Part No.	Type	PU*
G $\frac{1}{8}$	3.5	4	16	27.1	4.7	9.2	39.5	31.5	13	14	4041	LCX- $\frac{1}{8}$ -PX-4	1
G $\frac{1}{4}$	5	6	20	34.3	5.7	11.8	46	36	17	17	4042	LCX- $\frac{1}{4}$ -PX-6	1
G $\frac{3}{8}$	8	9	25	41.3	6.7	14.3	58	45.5	22	22	4043	LCX- $\frac{3}{8}$ -PX-9	1

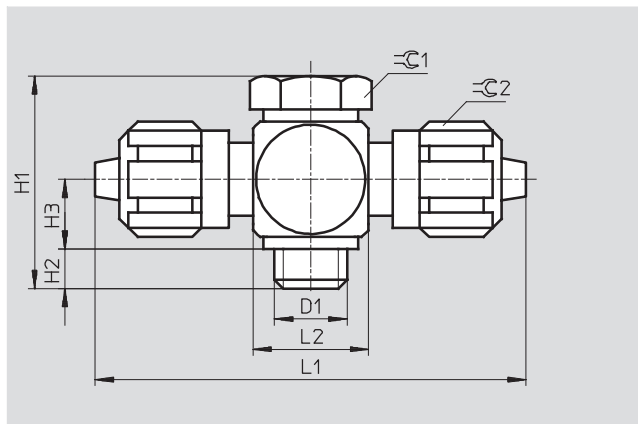
* Packaging unit quantity

T quick connector TCX

rotatable with 2 sealing rings for
metal braided hose PX

Material:

Anodised aluminium



Dimensions and ordering data													
Connection D1	Nominal size [mm]	Tubing I.D.	H1	H2	H3	L1	L2	≅C1	≅C2	Part No.	Type	PU*	
G $\frac{1}{8}$	3.5	4	27.1	4.7	9.2	63	16	13	14	4044	TCX- $\frac{1}{8}$ -PX-4	1	
G $\frac{1}{4}$	5	6	34.3	5.7	11.8	72	20	17	17	4045	TCX- $\frac{1}{4}$ -PX-6	1	
G $\frac{3}{8}$	8	9	41.3	6.7	14.3	91	25	22	22	4046	TCX- $\frac{3}{8}$ -PX-9	1	

* Packaging unit quantity