

Accessories, D series

FESTO



Accessories, D series

Mounting attachments



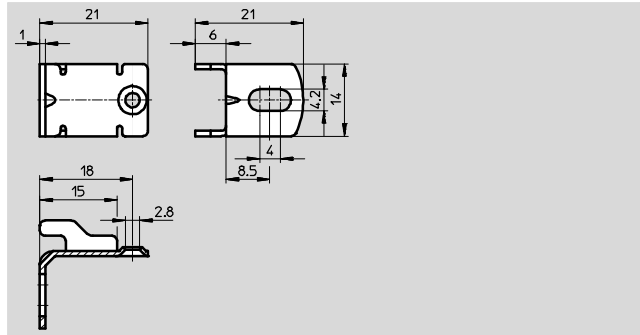
Mounting bracket HFOE-D

Micro size

- For wall mounting

Material:

Galvanised steel



Ordering data			
Size	Part No.	Type	
Micro	526317	HFOE-D-MICRO	

Mounting bracket HFOE-D

Mini/Midi/Maxi size

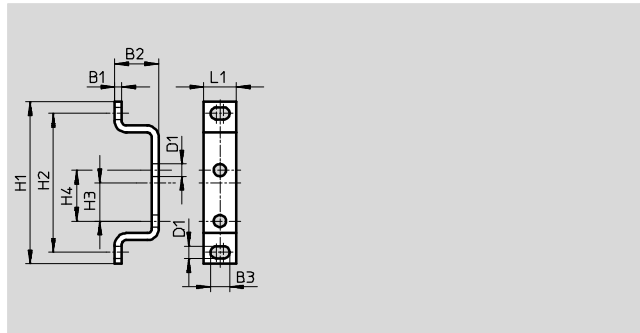
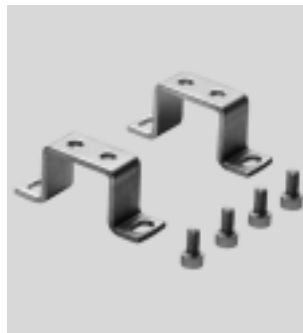
- For wall mounting

Material:

Galvanised steel

Note on material:

Free of copper and PTFE



Dimensions and ordering data												
Size	B1	B2	B3	D1	H1	H2	H3	H4	L1	CRC ¹⁾	Part No.	Type
Mini	2	19	7.3	4.3	43	35	5.5	11	12	2	159638	HFOE-D-MINI
Midi/Maxi	3	19	8.3	5.3	70	60	16.5	22	14	2	159593	HFOE-D-MIDI/MAXI

1) Corrosion resistance class CRC 2 to Festo standard FN 940070

Moderate corrosion stress. Indoor applications in which condensation may occur. External visible parts with primarily decorative requirements for the surface and which are in direct contact with the ambient atmosphere typical for industrial applications.

Mounting bracket set HRBS-DB

- For wall mounting

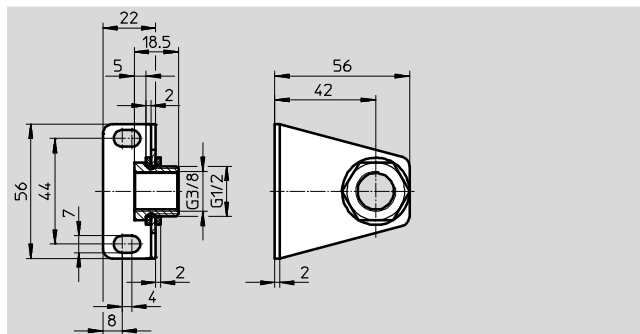
Material

Hollow bolt, bracket: Galvanised steel

Sealing ring: Polyvinyl chloride

Note on material:

Free of copper and PTFE



Dimensions and ordering data					
Size	Pneumatic connection	CRC ¹⁾	Weight [g]	Part No.	Type
Mini	G $\frac{3}{8}$	2	150	540791	HRBS-DB-MINI

1) Corrosion resistance class CRC 2 to Festo standard FN 940070

Moderate corrosion stress. Indoor applications in which condensation may occur. External visible parts with primarily decorative requirements for the surface and which are in direct contact with the ambient atmosphere typical for industrial applications.

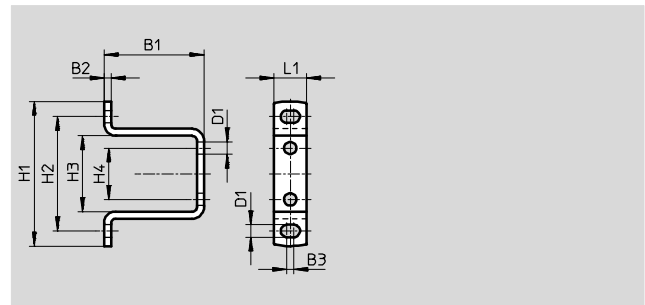
Accessories, D series

Mounting attachments

Mounting bracket HRB-D

- For wall mounting
- For pressure regulators LRB/LRBS

Material:
Galvanised steel

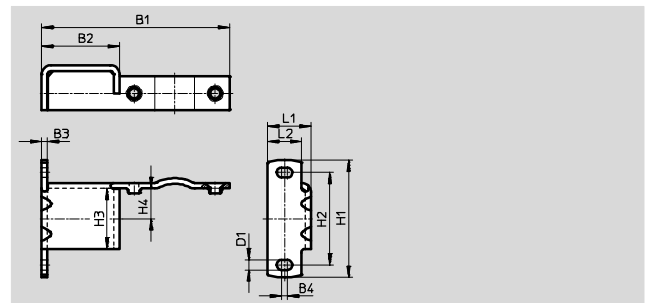
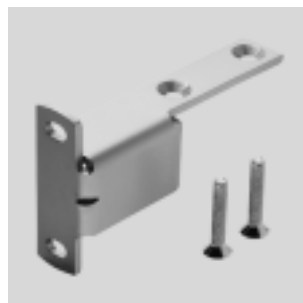


Dimensions and ordering data											
Size	B1	B2	B3	D1 Ø	H1	H2	H3	H4	L1	Part No.	Type
Mini	38.8	2.5	3	4.3	47.3	35	20	11	12	525029	HRB-D-MINI
Midi	42.7	3	3	5.3	62	49	32.5	22	14	525030	HRB-D-MIDI

Mounting bracket HRBK-D

- For wall mounting
- For pressure regulators LRB/LRBS

Material:
Galvanised steel

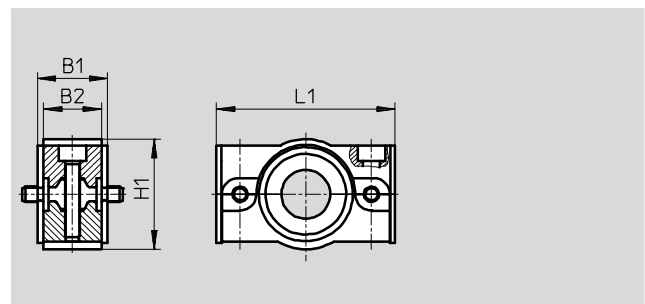


Dimensions and ordering data													
Size	B1	B2	B3	B4	D1 Ø	H1	H2	H3	H4	L1	L2	Part No.	Type
Mini	80.5	37.5	2.5	3	4.3	47.3	35	20	10	18.5	14	525031	HRBK-D-MINI
Midi	99.8	41.3	3	3	5.3	62.3	49	32	16	24	18	525032	HRBK-D-MIDI

Connecting kit HRBC-D

- For pressure regulators LRB/LRBS

Material:
Die-cast zinc



Dimensions and ordering data							
Size	B1	B2	H1	L1	Weight [g]	Part No.	Type
Mini	17.4	14.8	20	43	65	529022	HRBC-D-MINI
Midi	23	18.6	36	58.5	188	529023	HRBC-D-MIDI

Accessories, D series

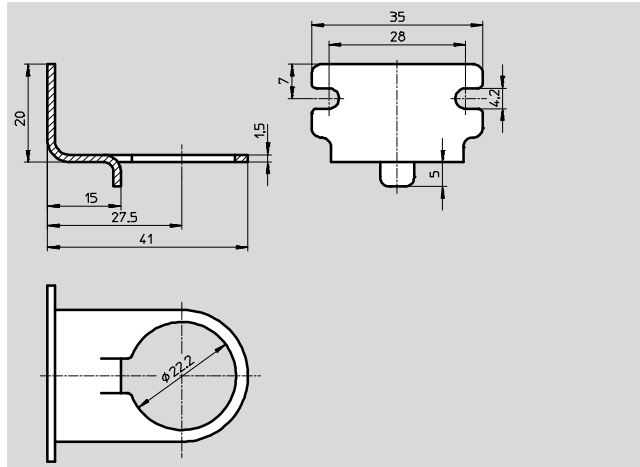
Mounting attachments

Mounting bracket HRS-D

- For wall mounting of an individual unit

Material:

Galvanised steel



Ordering data

Size	Part No.	Type
Micro	526316	HRS-D-MICRO

Mounting bracket HR-D

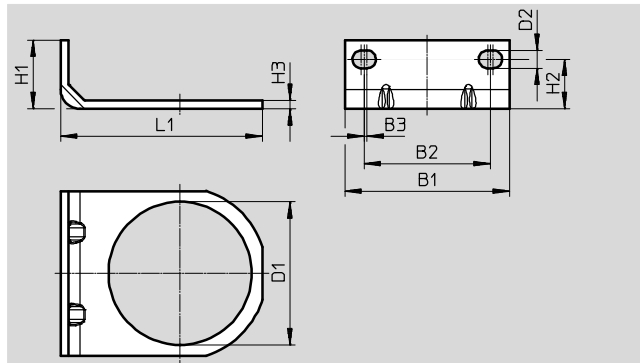
- For wall mounting of an individual unit

Material:

Steel

Note on materials:

RoHS-compliant (HR-D-R3 only)



Dimensions and ordering data

Size	B1	B2	B3	D1 Ø	D2	H1	H2	H3	L1	CRC ¹⁾	Weight [g]	Part No.	Type
Mini	42	28	1	36.1	6.5	25	18	3	57.5	2	–	164936	HR-D-MINI
Midi	60	46	1	52.1	6.5	25	18	3	73.5	2	–	162804	HR-D-MIDI
Maxi	64	51	1	36.1	6.5	25	18	3	82	2	–	162805	HR-D-MAXI
	DI	64	51	1	52.1	6.5	25	3	82	2	–	193802	HR-D-DI-MAXI
High corrosion stress													
Midi	60	46	1	52.1	6.5	25	18	3	73.5	3	73	4650310	HR-D-R3

1) Corrosion resistance class CRC 2 to Festo standard FN 940070

Moderate corrosion stress. Indoor applications in which condensation may occur. External visible parts with primarily decorative requirements for the surface and which are in direct contact with the ambient atmosphere typical for industrial applications.

Corrosion resistance class CRC 3 to Festo standard FN 940070

High corrosion stress. Outdoor exposure under moderate corrosive conditions. External visible parts with primarily functional requirements for the surface and which are in direct contact with a normal industrial environment.

Accessories, D series

Mounting attachments

Hex nut HMR-D

- For filter regulators LFR and pressure regulators LR

Material:
Wrought aluminium alloy

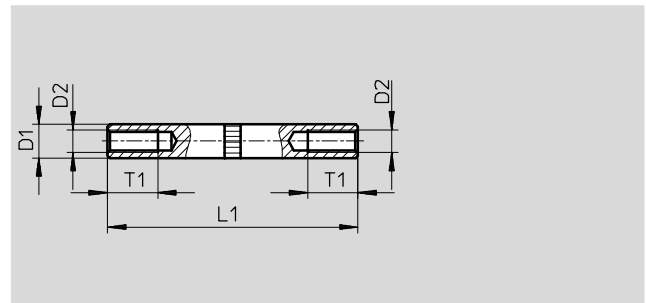


Ordering data		
Size	Part No.	Type
Micro	526816	HMR-D-MICRO
Mini/Maxi	530025	HMR-D-MINI/MAXI
Midi	530026	HMR-D-MIDI

Threaded pin HSB-D

- For individual devices with connecting plates

Material:
High-alloy steel



Dimensions and ordering data						
Size	D1 ∅	D2	L1	T1 min.	Part No.	Type
Mini	6.5	M4	39.7	10	531057	HSB-D-MINI
Midi	7.5	M5	54.7	11	531058	HSB-D-MIDI

Accessories, D series

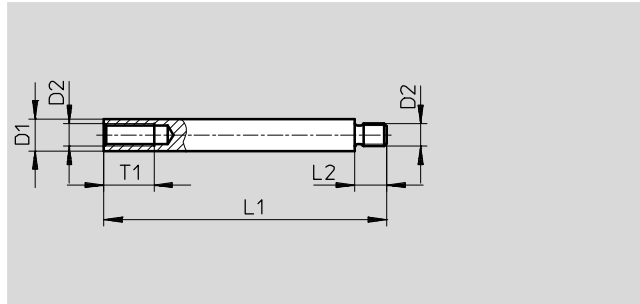
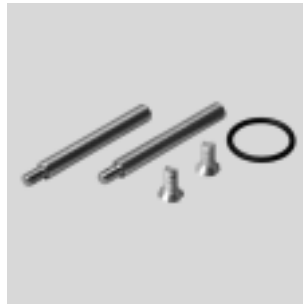
Mounting attachments

FESTO

Threaded pin FRB-D-MICRO

- For service unit combinations

Material:
High-alloy steel



Dimensions and ordering data									
Size	D1 Ø	D2	L1	L2	T1 min.	CRC ¹⁾	Part No.	Type	
Micro	3.5	M2.5	28.4	4	6	2	526817	FRB-D-MICRO	

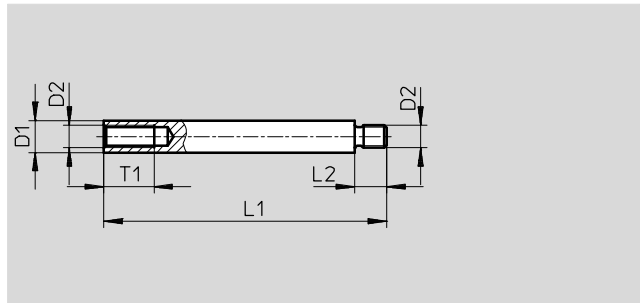
- 1) Corrosion resistance class CRC 2 to Festo standard FN 940070
Moderate corrosion stress. Indoor applications in which condensation may occur. External visible parts with primarily decorative requirements for the surface and which are in direct contact with the ambient atmosphere typical for industrial applications.

Threaded pin FRB-D-MINI/MIDI/MAXI

- For service unit combinations

Material:
High-alloy steel

Note on material:
Free of copper and PTFE



Dimensions and ordering data									
Size	D1 Ø	D2	L1	L2	T1 min.	CRC ¹⁾	Part No.	Type	
Mini	6	M4	47.3	7.5	10	2	159642	FRB-D-MINI	
Midi	7	M5	61.8	7	11	2	159595	FRB-D-MIDI	
Maxi	7	M5	72.8	7	11	2	159643	FRB-D-MAXI	

- 1) Corrosion resistance class CRC 2 to Festo standard FN 940070
Moderate corrosion stress. Indoor applications in which condensation may occur. External visible parts with primarily decorative requirements for the surface and which are in direct contact with the ambient atmosphere typical for industrial applications.

Accessories, D series

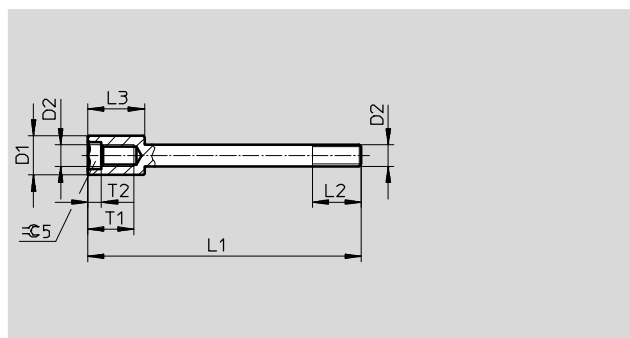
Mounting attachments

Threaded pin FRB-DB

- Substitute for socket head screws in the lubricator of the service unit FRC-DB for attachment of another service unit

Material:
Steel

Note on material:
Free of copper and PTFE



Dimensions and ordering data										
Size	D1	D2	L1	L2	L3	T1	T2	CRC ¹⁾	Part No.	Type
Mini	7.2 ∅	M4	50.5	9 min.	10.5	8.5	2.5	1	542187	FRB-DB-MINI

1) Corrosion resistance class CRC 1 to Festo standard FN 940070
Low corrosion stress. For dry indoor applications or transport and storage protection. Also applies to parts behind covers, in the non-visible interior area, and parts which are covered in the application (e.g. drive trunnions).

Nut assortment M4-DB

- For service unit combinations

Material:
Galvanised steel

Note on material:
Free of copper and PTFE



Ordering data		
Size	CRC ¹⁾	Part No. Type
Mini	1	542790 M4-DB-MINI

1) Corrosion resistance class CRC 1 to Festo standard FN 940070
Low corrosion stress. For dry indoor applications or transport and storage protection. Also applies to parts behind covers, in the non-visible interior area, and parts which are covered in the application (e.g. drive trunnions).

Accessories, D series

Connecting plates

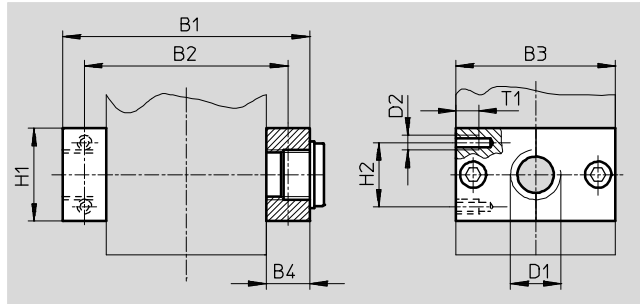
FESTO

Connecting plates LRBAS-D

- For pressure regulators LRB/LRBS

Material:

Die-cast zinc



Dimensions and ordering data												
Size	Connection	B1	B2	B3	B4	D1	D2	H1	H2	T1 max.	Part No.	Type
Mini	G $\frac{1}{4}$	64	52	40	12	G $\frac{1}{4}$	M4	20	11	7	525033	LRBAS- $\frac{1}{4}$ -D-MINI
	G $\frac{3}{8}$	70	52	40	15	G $\frac{3}{8}$	M4	23	11	7	525034	LRBAS- $\frac{3}{8}$ -D-MINI
Midi	G $\frac{3}{8}$	85	70	55	15	G $\frac{3}{8}$	M5	32	22	8	525035	LRBAS- $\frac{3}{8}$ -D-MIDI
	G $\frac{1}{2}$	85	70	55	15	G $\frac{1}{2}$	M5	32	22	8	525036	LRBAS- $\frac{1}{2}$ -D-MIDI

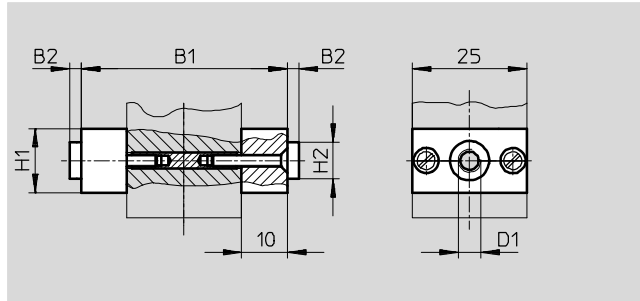
– † – Note: This product conforms to ISO 1179-1 and to ISO 228-1

Connecting plate kit PBL-D

- For service units FRC,
filter regulators LFR,
filters LF,
pressure regulators LR
and lubricators LOE

Material:

Wrought aluminium alloy



Dimensions and ordering data								
Size	Connection	B1	B2	D1	H1	H2	Part No.	Type
Micro	G $\frac{1}{8}$	45	–	G $\frac{1}{8}$	14	–	526318	PBL- $\frac{1}{8}$ -D-MICRO
	QS4	45	2.5	QS4	14	8	526321	PBL-QS4-D-MICRO
	QS6	45	2.5	QS6	14	10	526322	PBL-QS6-D-MICRO

Accessories, D series

Connecting plates

FESTO

Connecting plate kit PBL-DB

- For wall mounting
- For establishing a pneumatic connection G $\frac{3}{8}$

Material:

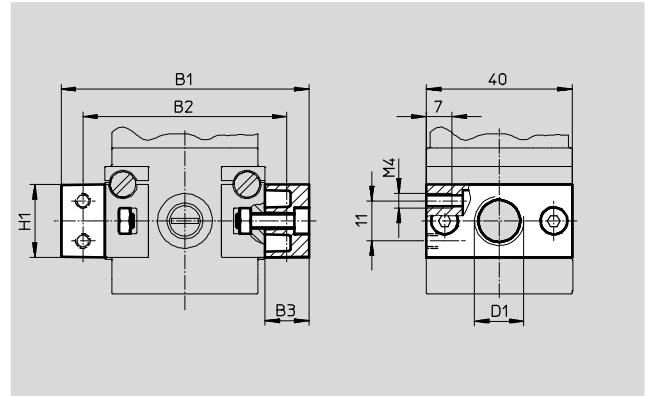
Connecting plate: Die-cast zinc

Nut, screws: Galvanised steel

Seals: Nitrile rubber

Note on material:

Free of copper and PTFE



Dimensions and ordering data

Size	B1	B2	B3	D1	H1	CRC ¹⁾	Part No.	Type
Mini	68	56	12	G $\frac{1}{8}$	20	1	542787	PBL- $\frac{1}{8}$ -DB-MINI
	68	56	12	G $\frac{1}{4}$	20		542788	PBL- $\frac{1}{4}$ -DB-MINI
	74	56	15	G $\frac{3}{8}$	23		542789	PBL- $\frac{3}{8}$ -DB-MINI

1) Corrosion resistance class CRC 1 to Festo standard FN 940070

Low corrosion stress. For dry indoor applications or transport and storage protection. Also applies to parts behind covers, in the non-visible interior area, and parts which are covered in the application (e.g. drive trunnions).

Accessories, D series

Security components

FESTO

Regulator lock LRVS

Locking device to prevent unauthorised alteration of the set pressure of pressure and filter regulators.

Material:

Cap: Polyacetal

Lock plate: Steel

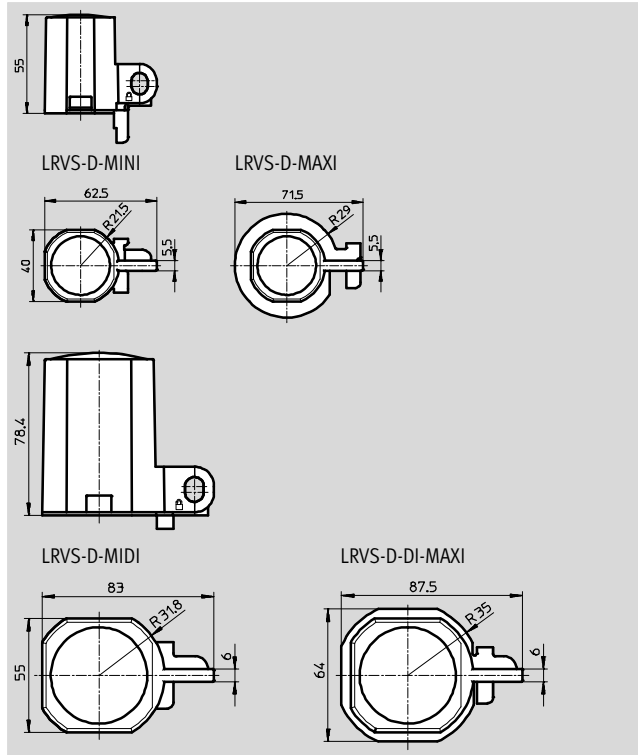
Knurled nut: Aluminium

Note on material:

Free of copper and PTFE

Ambient temperature:

-20 ... +60 °C



Ordering data		Part No.	Type
Size	Weight [g]		
Mini	40	193781	LRVS-D-MINI
Midi	60	193782	LRVS-D-MIDI
Maxi	56	193783	LRVS-D-MAXI
DI	36	193784	LRVS-D-DI-MAXI

Padlock LRVS-D

Material:

Housing: Brass

Ambient temperature:

-20 ... +60 °C



Ordering data		Part No.	Type
Size	Weight [g]		
Mini/Midi/Maxi	120	193786	LRVS-D