


Slide units SPZ, twin piston



-  - Type discontinued SPZ-...-S6
Available up until 2010

FESTO

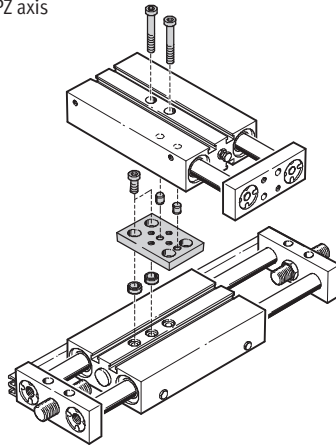
Slide units SPZ, twin piston

Key features

Multi-axis and drive combinations

The slide unit SPZ can be combined with different drives. An adapter kit is required for mounting between the two drives.

DPZ-/SPZ axis

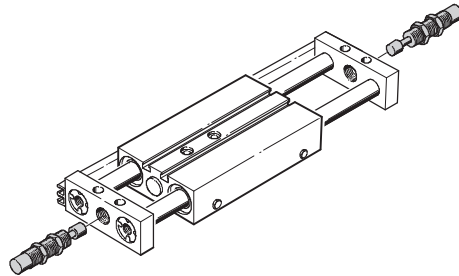


Adapter kits

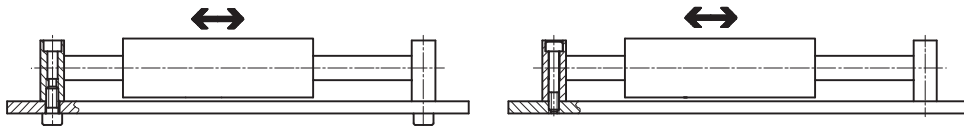
→ www.festo.com

Shock absorbers for slide operation

- From 30 ... 900 mm/s
- In slide operation, shock absorbers provide highly dynamic but gentle operating characteristics

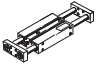


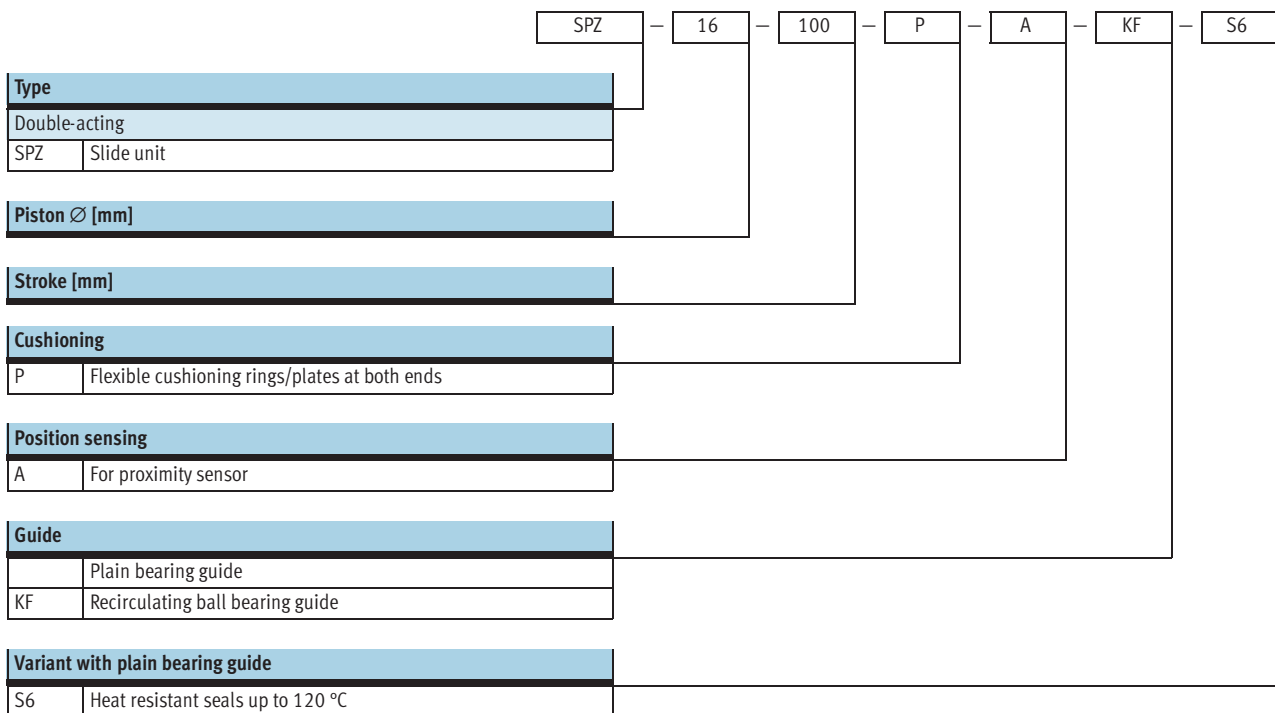
Slide operation SPZ-...



Slide units SPZ, twin piston

Overview and type codes

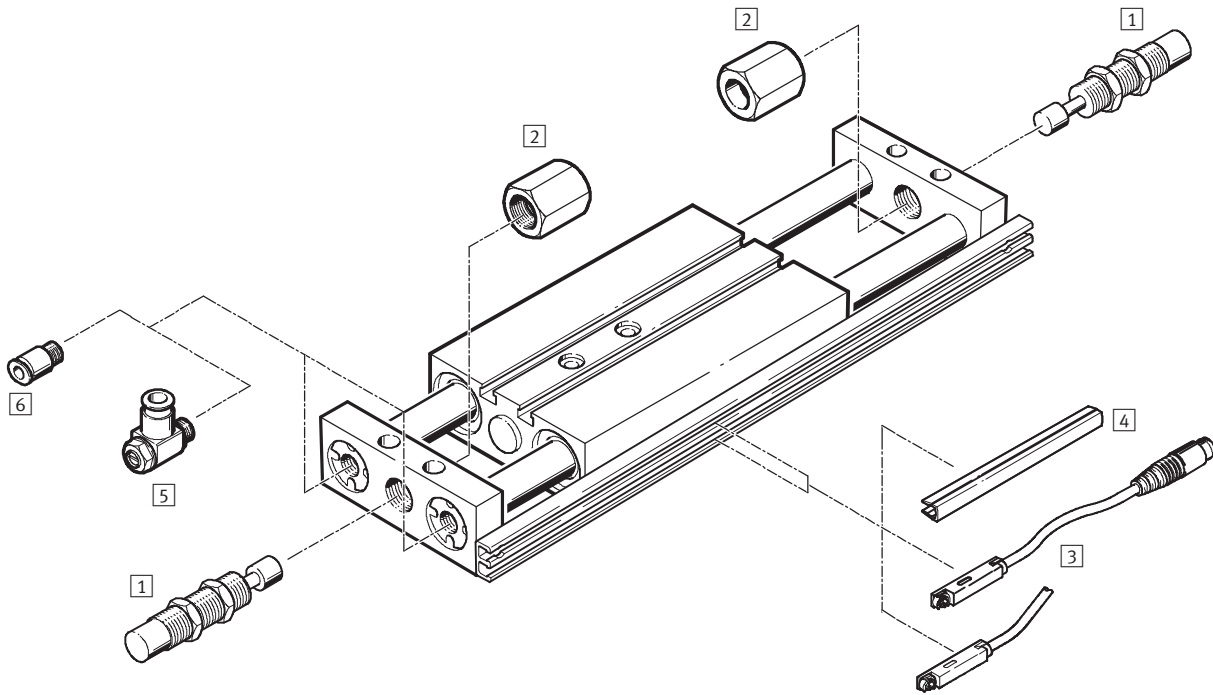
Function	Version	Piston Ø [mm]	Stroke [mm]	Position sensing A	Plain bearing guide GF	Recirculating ball bearing guide KF	Heat resistant seals up to 120 °C S6
Double-acting		10	10, 25, 40, 50	■	■	■	■ Plain bearing guide
		16, 20, 25, 32	10, 25, 40, 50, 80, 100				



Slide units SPZ, twin piston

Peripherals overview

FESTO

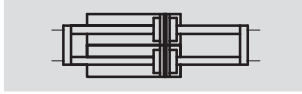


Accessories					
	Brief description	Piston Ø		→ Page/Internet	
		10, 16 mm	20, 25, 32 mm		
1	Shock absorber YSR-C	Hydraulic shock absorber with rapidly increasing cushioning characteristic	■	■	14
2	Stop limiters YSRA	Stroke limiter for shock absorber	■	■	14
3	Proximity sensor SME/SMT-8	Can be integrated in the cylinder profile barrel	■	■	15
4	Slot cover ABP-5-S	To protect the sensor cable and keep dirt out of the sensor slots	■	■	15
5	One-way flow control valve GRLA	To regulate speed	■	■	16
6	Push-in fitting QS	For connecting compressed air tubing with standard O.D.	■	■	quick star
-	Centring pin ZBS	4 pieces included in scope of delivery	■	-	16
-	Centring sleeve ZBH	4 pieces included in scope of delivery	-	■	16

Slide units SPZ, twin piston

Technical data

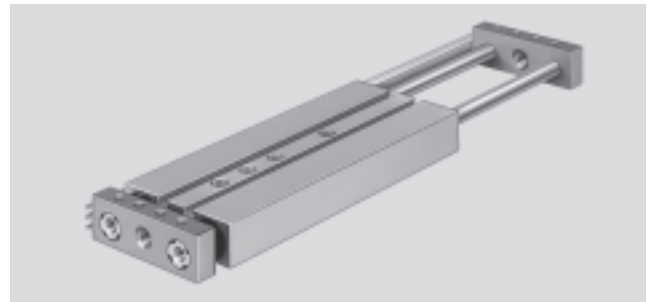
Function




Variants



S6



-  - Diameter
10 ... 32 mm

-  - Stroke length
10 ... 100 mm

-  - www.festo.com

General technical data					
Piston \varnothing	10	16	20	25	32
Pneumatic connection	M5	M5	M5	M5	G1/8
Operating medium	Filtered compressed air, lubricated or unlubricated				
Operating pressure [bar]	2,5 ... 10		1 ... 10		
Constructional design	Slide				
	Parallel piston rods				
Cushioning	Flexible cushioning rings/plates at both ends				
Position sensing	For proximity sensing				
Type of mounting	Via through-holes				
	With female thread				
	With mounting plate				
Mounting position	Any				
Protection against torsion/guide	Parallel piston rods/with plain-bearing guide or ball bearing guide				

Ambient conditions			
Variant	Plain-bearing guide GF		Recirculating ball bearing guide KF
		S6	
Ambient temperature ¹⁾ [°C]	-20 ... +80	0 ... +120	-20 ... +80
Corrosion resistance class CRC ²⁾	2	2	-
ATEX	Specified types → www.festo.com		

1) Note operating range of proximity sensors.

2) Corrosion resistance class 2 according to Festo standard 940 070

Components requiring moderate corrosion resistance. Externally visible parts with primarily decorative surface requirements which are in direct contact with a surrounding industrial atmosphere or media such as cooling or lubricating agents.

Forces [N]					
Piston \varnothing	10	16	20	25	32
Theoretical force at 6 bar, advancing	60	180	282	452	724
Theoretical force at 6 bar, retracting	60	180	282	452	724

Slide units SPZ, twin piston

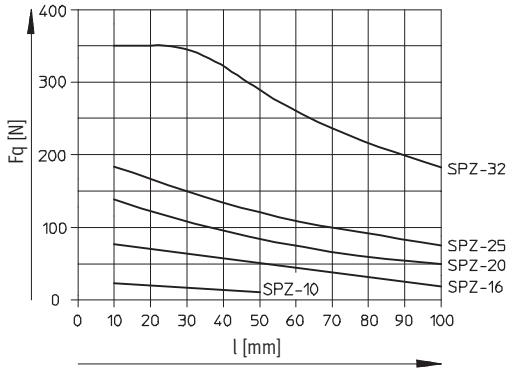
Technical data

FESTO

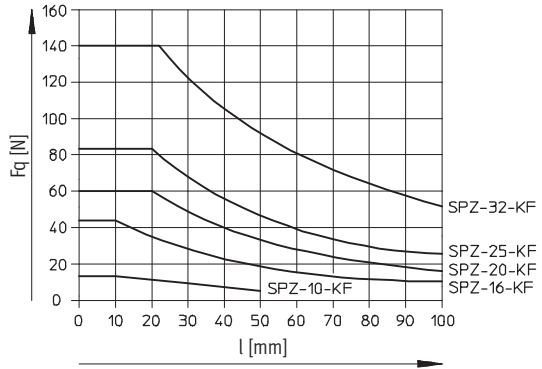
Permissible lateral force F_Q as a function of stroke l



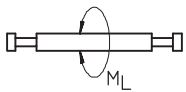
Plain-bearing guide GF



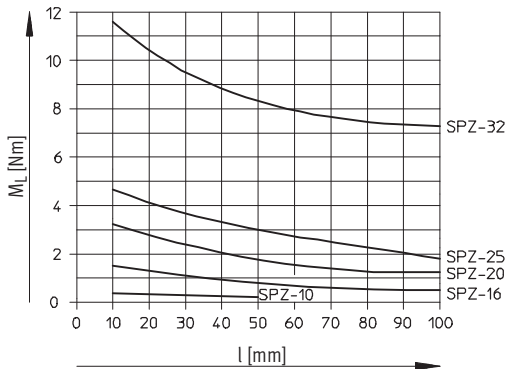
Recirculating ball bearing guide KF



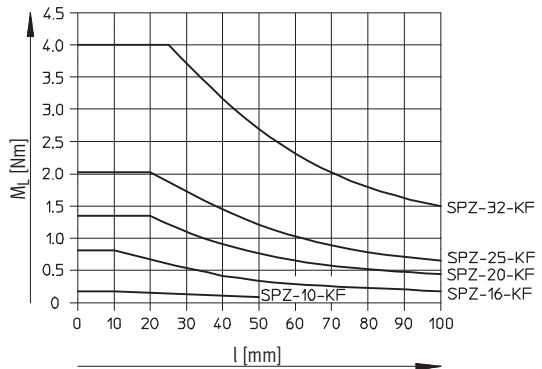
Permissible torque M_L as a function of stroke l



Plain-bearing guide GF



Recirculating ball bearing guide KF



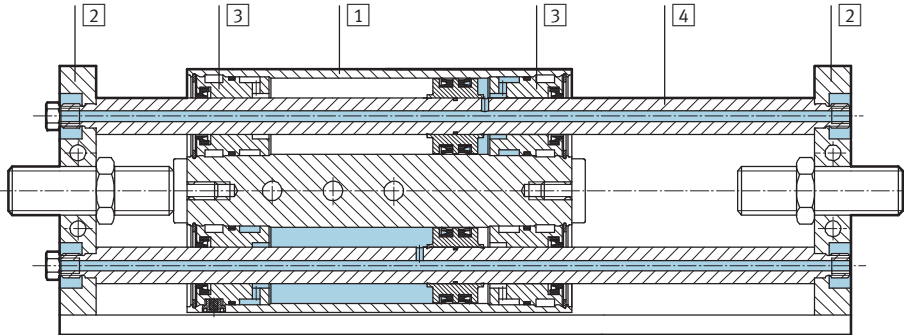
Slide units SPZ, twin piston

Technical data

FESTO

Materials

Sectional view



Variant		Basic version	S6
1	Housing	Wrought aluminium alloy	Wrought aluminium alloy
2	Yoke plate	Tool steel	Tool steel
3	Plug cap	GF	Brass
		KF	Wrought aluminium alloy
4	Piston rod	GF	High-alloy stainless steel
		KF	Tempered steel
-	Seals	Polyurethane, nitrile rubber	Flurocarbon rubber, nitrile rubber

-  - Type discontinued SPZ-...-S6
Available up until 2010

Slide units SPZ, twin piston

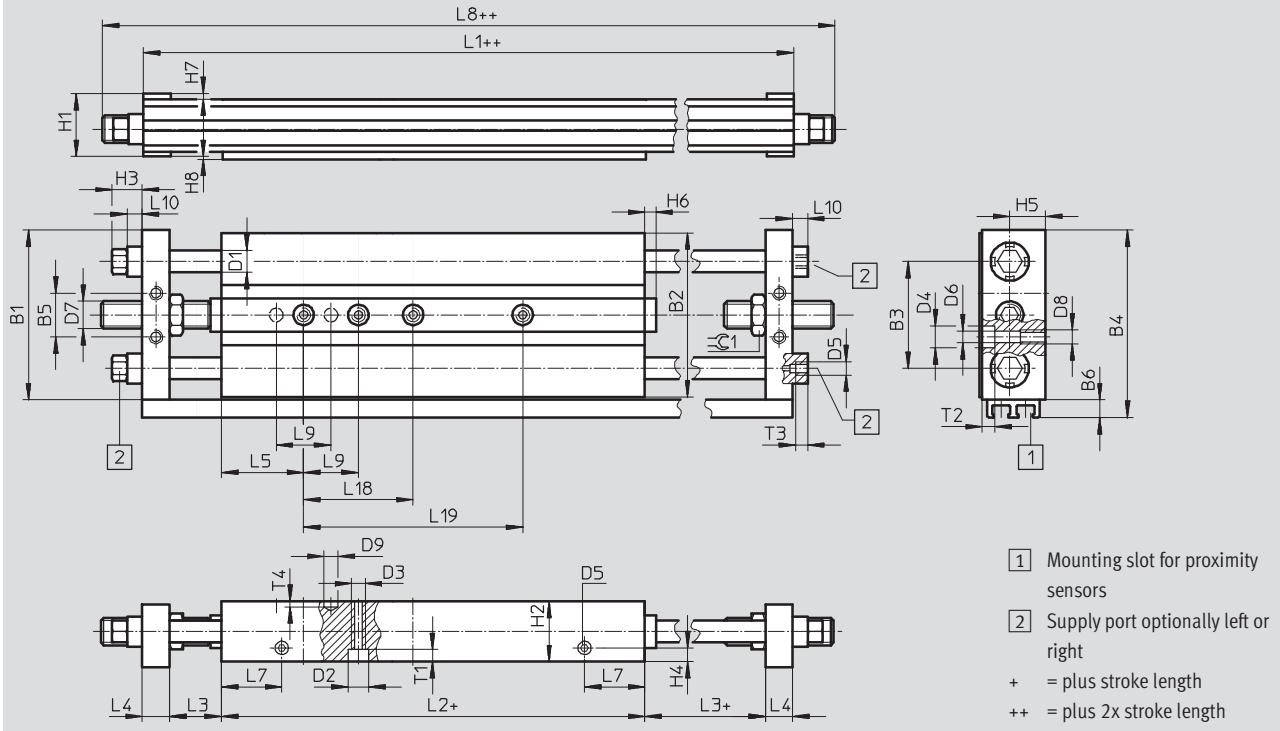
Technical data

FESTO

Dimensions

Download CAD data → www.festo.com

Piston \varnothing 10, 16 mm, plain-bearing guide GF



\varnothing	B1	B2	B3	B4	B5	B6	D1	D2	D3	D4	D5	D6	D7	D8	D9	H1	H2	H3
[mm]							\varnothing	\varnothing		\varnothing		\varnothing	M10x1	M5	\varnothing H7			
10	52	50	33	58.5	16	6.5	6	7.5	M5	8	M5	4.2	M10x1	M5	5	20	19	10
16	62	60	39	68.5	16	6.5	8	7.5	M5	8	M5	4.2	M10x1	M5	5	23	22	11

\varnothing	H4	H5	H6	H7	H8	L1	L2	L3	L4	L5	L7	L8	L9 ¹⁾	L10	T1	T2	T3	T4	$\leq \varnothing$
[mm]																			
10	5	11.5	4	2	1	129.6	71.6	19	10	30	23.4	159.6	20	4.5	4.4	3.4	5	2	13
16	5	13	4	2	1	132.6	74.6	19	10	30	22	162.6	20	5.5	4.4	4.6	4.5	2	13

Stroke	L18 ¹⁾	L19 ¹⁾
[mm]	± 0.03	± 0.03
10	-	-
25	-	-
40	40	-
50	40	-
80	40	80
100	40	80

1) Tolerance for centring hole ± 0.03 mm
Tolerance for thread ± 0.2 mm

Slide units SPZ, twin piston

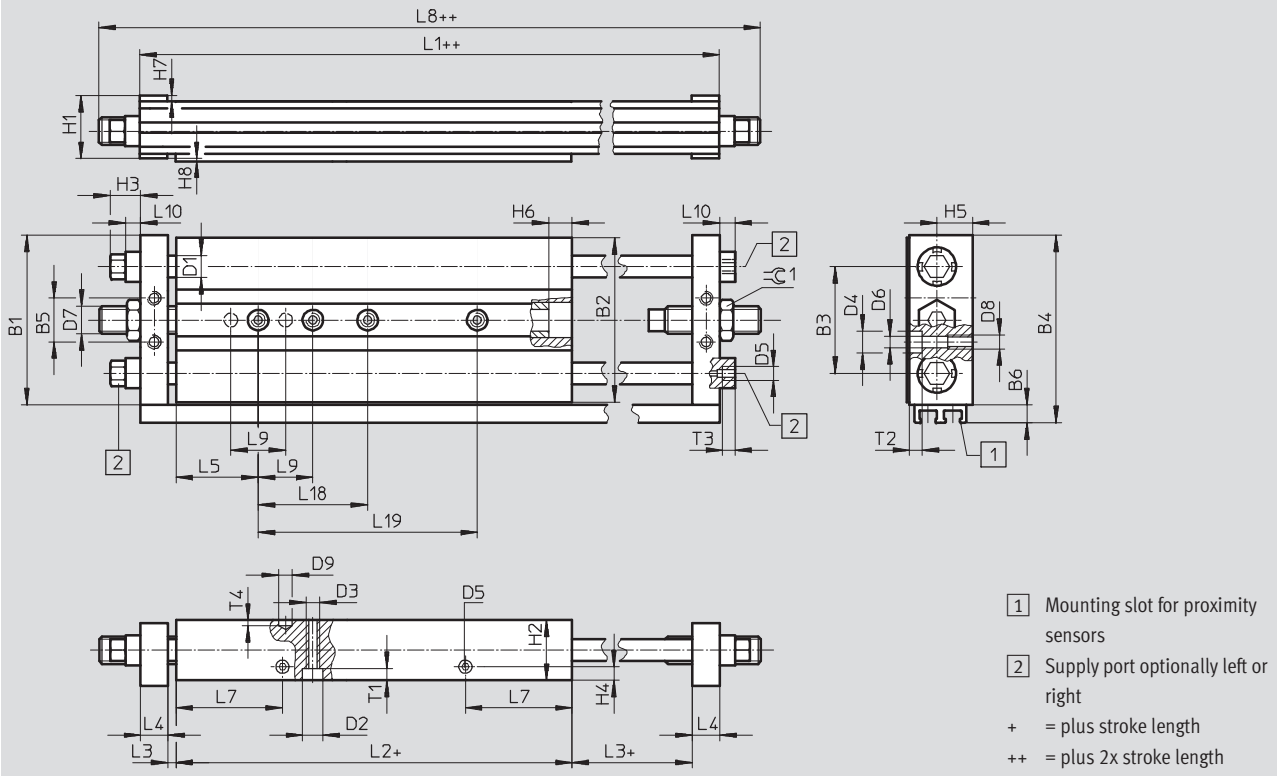
Technical data



Dimensions

Download CAD data → www.festo.com

Piston \varnothing 10, 16 mm, recirculating ball bearing guide KF



\varnothing	B1	B2	B3	B4	B5	B6	D1	D2	D3	D4	D5	D6	D7	D8	D9	H1	H2	H3	H4
[mm]							\varnothing	\varnothing		\varnothing		\varnothing			\varnothing H7				
10	52	50	33	58.5	16	6.5	6	7.5	M5	8	M5	4.2	M10x1	M5	5	20	19	10	5
16	62	60	39	68.5	16	6.5	8	7.5	M5	8	M5	4.2	M10x1	M5	5	23	22	11	5

\varnothing	H5	H6	H7	H8	L1	L2	L3	L4	L5	L7	L8	L9 ¹⁾	L10	T1	T2	T3	T4	\approx 1
[mm]																		
10	11.5	7.5	2	1	129.6	107.6	1	10	30	40.7	159.6	20	4.5	4.4	3.4	5	2	13
16	13	7.5	2	1	132.6	106.6	3	10	30	38.9	158.6	20	5.5	4.4	4.6	4.5	2	13

Stroke	L18 ¹⁾	L19 ¹⁾
[mm]	± 0.03	± 0.03
10	-	-
25	-	-
40	40	-
50	40	-
80	40	80
100	40	80

1) Tolerance for centring hole ± 0.03 mm
Tolerance for thread ± 0.2 mm

-  - Type discontinued SPZ-...-S6
Available up until 2010

Slide units SPZ, twin piston

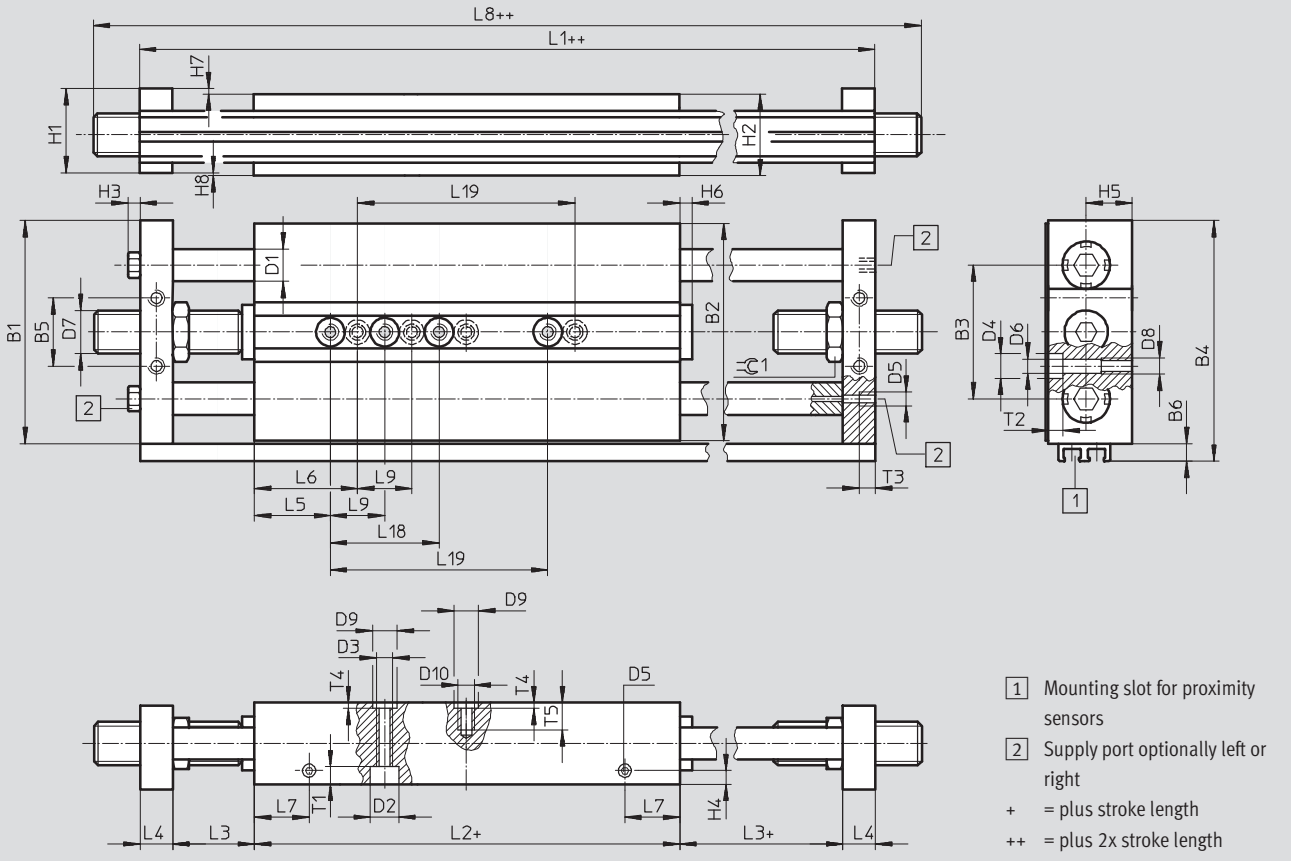
Technical data

FESTO

Dimensions

Download CAD data → www.festo.com

Piston \varnothing 20, 25, 32 mm, plain-bearing guide GF



\varnothing	B1	B2	B3	B4	B5	B6	D1	D2	D3	D4	D5	D6	D7	D8	D9	D10	H1	H2	H3
[mm]							\varnothing	\varnothing	\varnothing	\varnothing		\varnothing			\varnothing				
20	74	72	45.6	80.5	23	6.5	10	9	M6	9.5	M5	5.2	M12x1	M6	9	M6	25	24	5
25	82	80	49.2	88.5	25	6.5	12	10.5	6.4	9.5	M5	5.2	M16x1	M6	9	M6	31	30	5
32	100	98	57	106.5	24	6.5	16	10.5	6.4	10.5	G1/8	6.2	M16x1	M8	9	M6	39	38	-

\varnothing	H4	H5	H6	H7	H8	L1	L2	L3	L4	L5	L6	L7	L8	L9 ¹⁾	T1	T2	T3	T4	T5	$\leq \varnothing 1$
[mm]																		+0.2		
20	5	14	4	2	1	146.6	76.6	23	12	30	-	22.8	178.6	20	5.4	5	6	2.1	10	15
25	5	17	4.5	2	1	160.6	76.6	30	12	28	38	20.2	194.6	20	6.4	5	6	2.1	10	19
32	7.5	21	4.5	2	1	170.1	80.1	30	15	35	45	25	204.1	20	6.4	6.5	10	2.1	10	19

Stroke	L18 ¹⁾	L19 ¹⁾
[mm]	± 0.03	± 0.03
10	-	-
25	-	-
40	40	-
50	40	-
80	40	80
100	40	80

1) Tolerance for centring hole ± 0.03 mm
Tolerance for thread ± 0.2 mm

Slide units SPZ, twin piston

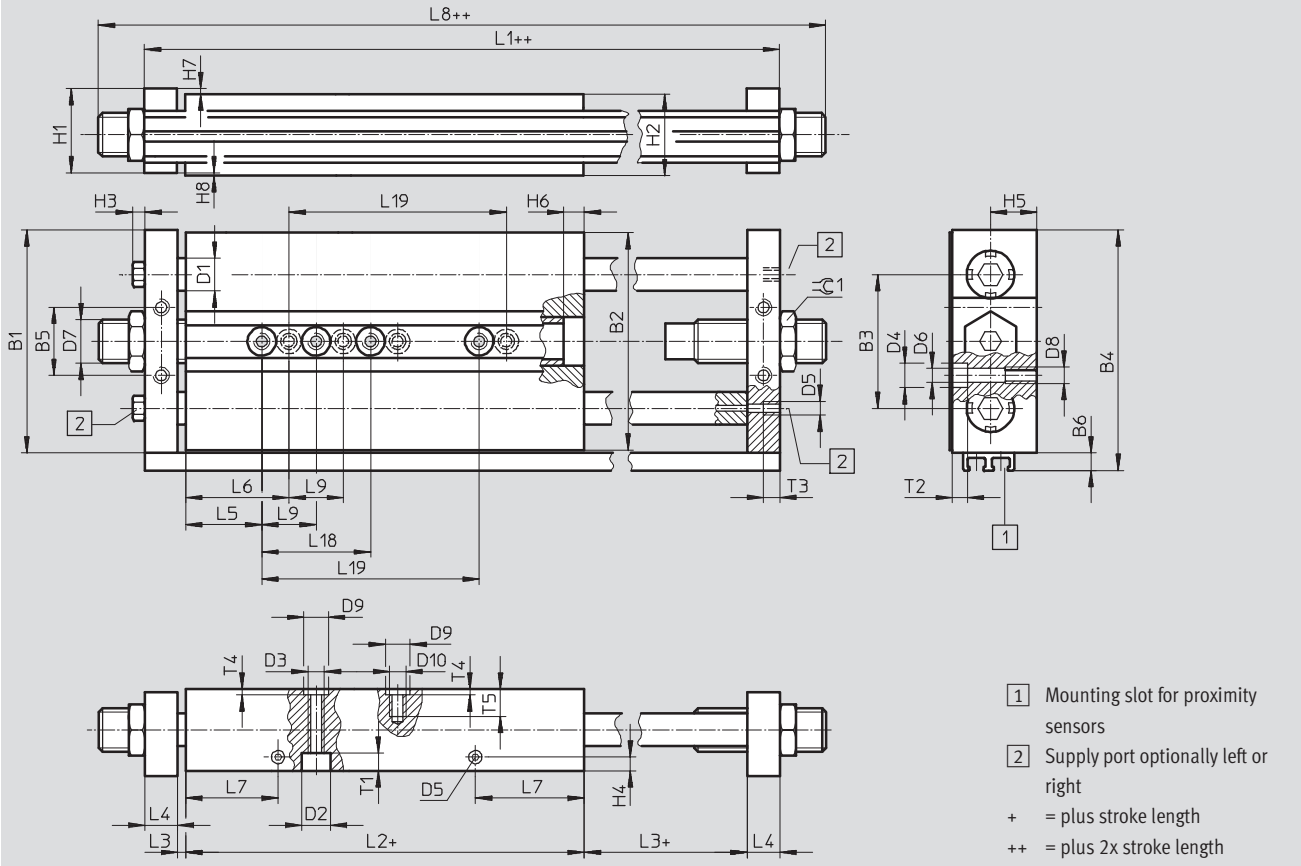
Technical data

FESTO

Dimensions

Download CAD data → www.festo.com

Piston Ø 20, 25, 32 mm, recirculating ball bearing guide KF



Ø	B1	B2	B3	B4	B5	B6	D1	D2	D3	D4	D5	D6	D7	D8	D9	D10	H1	H2	H3
[mm]							Ø	Ø	Ø	Ø		Ø		Ø	Ø	H7			
20	74	72	45.6	80.5	23	6.5	10	9	M6	9.5	M5	5.2	M12x1	M6	9	M6	25	24	5
25	82	80	49.2	88.5	25	6.5	12	10.5	6.4	9.5	M5	5.2	M16x1	M6	9	M6	31	30	5
32	100	98	57	106.5	24	6.5	16	10.5	6.4	10.5	G $\frac{1}{8}$	6.2	M16x1	M8	9	M6	39	38	-

Ø	H4	H5	H6	H7	H8	L1	L2	L3	L4	L5	L6	L7	L8	L9 ¹⁾	T1	T2	T3	T4	T5	≅C1
[mm]																				
20	5	14	6.5	2	1	146.6	120.6	1	12	30	-	43.4	184.6	20	5.4	5	6	2.1	10	15
25	5	17	7.5	2	1	160.6	130.6	3	12	28	38	40	202.6	20	6.4	5	6	2.1	10	19
32	7.5	21	7.5	2	1	170.1	134.1	3	15	35	45	44.9	206.1	20	6.4	6.5	10	2.1	10	19

Stroke	L18 ¹⁾	L19 ¹⁾
[mm]	±0.03	±0.03
10	-	-
25	-	-
40	40	-
50	40	-
80	40	80
100	40	80


1) Tolerance for centring hole ±0.03 mm
Tolerance for thread ±0.2 mm

-  - Type discontinued SPZ-...-S6
Available up until 2010

Slide units SPZ, twin piston

FESTO

Technical data

Ordering data – Basic version						
Type	Piston Ø [mm]	Stroke [mm]	Plain-bearing guide GF		Recirculating ball bearing guide KF	
			Part No.	Type ¹⁾	Part No.	Type ¹⁾
	10	10	32 714	SPZ-10-10-P-A	162 166	SPZ-10-10-P-A-KF
		25	32 715	SPZ-10-25-P-A	162 167	SPZ-10-25-P-A-KF
		40	32 716	SPZ-10-40-P-A	162 168	SPZ-10-40-P-A-KF
		50	32 717	SPZ-10-50-P-A	162 169	SPZ-10-50-P-A-KF
	16	10	32 719	SPZ-16-10-P-A	162 171	SPZ-16-10-P-A-KF
		25	32 720	SPZ-16-25-P-A	162 172	SPZ-16-25-P-A-KF
		40	32 721	SPZ-16-40-P-A	162 173	SPZ-16-40-P-A-KF
		50	32 722	SPZ-16-50-P-A	162 174	SPZ-16-50-P-A-KF
		80	32 723	SPZ-16-80-P-A	162 175	SPZ-16-80-P-A-KF
		100	32 724	SPZ-16-100-P-A	162 176	SPZ-16-100-P-A-KF
	20	10	32 726	SPZ-20-10-P-A	162 178	SPZ-20-10-P-A-KF
		25	32 727	SPZ-20-25-P-A	162 179	SPZ-20-25-P-A-KF
		40	32 728	SPZ-20-40-P-A	162 180	SPZ-20-40-P-A-KF
		50	32 729	SPZ-20-50-P-A	162 181	SPZ-20-50-P-A-KF
		80	32 730	SPZ-20-80-P-A	162 182	SPZ-20-80-P-A-KF
		100	32 731	SPZ-20-100-P-A	162 183	SPZ-20-100-P-A-KF
	25	10	32 733	SPZ-25-10-P-A	162 185	SPZ-25-10-P-A-KF
		25	32 734	SPZ-25-25-P-A	162 186	SPZ-25-25-P-A-KF
		40	32 735	SPZ-25-40-P-A	162 187	SPZ-25-40-P-A-KF
		50	32 736	SPZ-25-50-P-A	162 188	SPZ-25-50-P-A-KF
		80	32 737	SPZ-25-80-P-A	162 189	SPZ-25-80-P-A-KF
		100	32 738	SPZ-25-100-P-A	162 190	SPZ-25-100-P-A-KF
	32	10	159 721	SPZ-32-10-P-A	162 192	SPZ-32-10-P-A-KF
		25	159 722	SPZ-32-25-P-A	162 193	SPZ-32-25-P-A-KF
		40	159 723	SPZ-32-40-P-A	162 194	SPZ-32-40-P-A-KF
		50	159 724	SPZ-32-50-P-A	162 195	SPZ-32-50-P-A-KF
		80	159 725	SPZ-32-80-P-A	162 196	SPZ-32-80-P-A-KF
		100	159 726	SPZ-32-100-P-A	162 197	SPZ-32-100-P-A-KF


1) 4 centring pins or sleeves are included in the scope of delivery.

 Type discontinued SPZ-...-S6
Available up until 2010

FESTO

Slide units SPZ, twin piston

Technical data

Ordering data – Variant			
Type	Piston Ø [mm]	Stroke [mm]	Plain-bearing guide GF
			Part No. Type ¹⁾
S6 – Heat resistant seals up to 120 °C			
	10	10	159 730 SPZ-10-10-P-A-S6
		25	159 731 SPZ-10-25-P-A-S6
		40	159 732 SPZ-10-40-P-A-S6
		50	159 733 SPZ-10-50-P-A-S6
	16	10	159 734 SPZ-16-10-P-A-S6
		25	159 735 SPZ-16-25-P-A-S6
		40	159 736 SPZ-16-40-P-A-S6
		50	159 737 SPZ-16-50-P-A-S6
		80	159 738 SPZ-16-80-P-A-S6
	20	10	159 743 SPZ-20-10-P-A-S6
		25	159 744 SPZ-20-25-P-A-S6
		40	159 745 SPZ-20-40-P-A-S6
		50	159 746 SPZ-20-50-P-A-S6
		80	159 747 SPZ-20-80-P-A-S6
		100	159 748 SPZ-20-100-P-A-S6
	25	10	159 752 SPZ-25-10-P-A-S6
		25	159 753 SPZ-25-25-P-A-S6
		40	159 754 SPZ-25-40-P-A-S6
		50	159 755 SPZ-25-50-P-A-S6
		80	159 756 SPZ-25-80-P-A-S6
32	10	159 762 SPZ-32-10-P-A-S6	
	25	159 763 SPZ-32-25-P-A-S6	
	40	159 764 SPZ-32-40-P-A-S6	
	50	159 765 SPZ-32-50-P-A-S6	
	80	159 766 SPZ-32-80-P-A-S6	
		100	159 767 SPZ-32-100-P-A-S6

1) 4 centring pins or sleeves are included in the scope of delivery.

-  - Type discontinued SPZ-...-S6
Available up until 2010

Slide units SPZ, twin piston

Accessories

FESTO

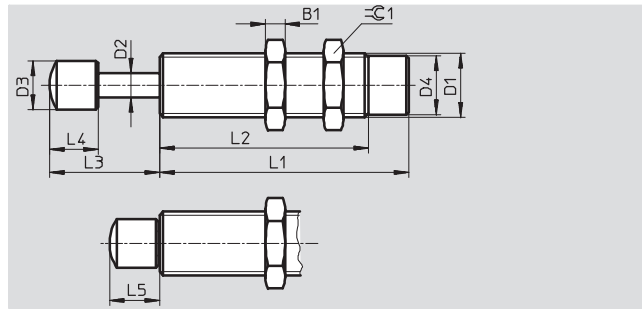
Shock absorber YSR-C

Material:

YSR-7-5-C, YSR-8-8-C: Nickel-plated brass

YSR-12-12-C: Galvanised steel

Free of copper, PTFE and silicone



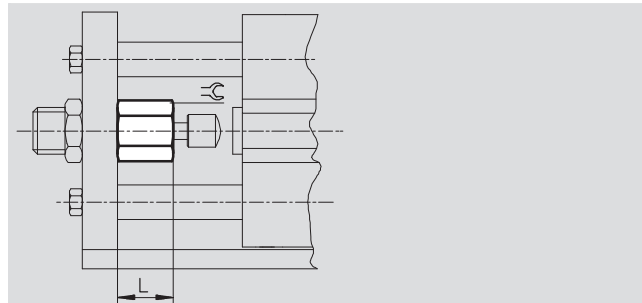
Dimensions and ordering data													Part No.	Type
For \varnothing	B1	D1	D2 \varnothing	D3 \varnothing	D4 \varnothing	L1 ± 0.1	L2 ± 0.3	L3 $+0.7/-0.35$	L4 ± 0.2	L5 $+0.55/-0.25$	\approx			
[mm]														
10, 16	3.5	M10x1	3	6 ± 0.1	8.6 ± 0.05	34	23	12.3	7	7.3	13	160 272	YSR-7-5-C	
20	4	M12x1	4	8 ± 0.2	10.4 ± 0.1	46	33	16.3	8	8.3	15	34 571	YSR-8-8-C	
25, 32	5	M16x1	6	12 ± 0.2	14.5 ± 0.1	64	51	24.5	12	12.5	19	34 572	YSR-12-12-C	

Stop limiter YSRA

for use when shock absorbers are fitted
(not in the case of recirculating ball bearing guide)

Material:

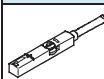
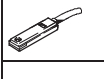
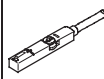
Steel

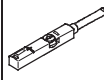
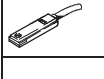
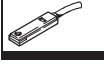




Dimensions and ordering data						
For \varnothing	L	\approx	For shock absorbers	Weight	Part No.	Type
[mm]				[g]		
10, 16	15	13	YSR-7-5-C	12	150 932	YSRA-7-C
20	19	15	YSR-8-8-C	28	150 933	YSRA-8-C
25, 32	25.5	19	YSR-12-12-C	48	150 934	YSRA-12-C

Slide units SPZ, twin piston

Accessories

Ordering data – Proximity sensors for T-slot, magneto-resistive						Technical data → Internet: smt	
	Type of mounting	Switch output	Electrical connection	Cable length [m]	Part No.	Type	
N/O contact							
	Insertable in the slot from above, flush with cylinder profile	PNP	Cable, 3-wire	2.5	543 867	SMT-8M-PS-24V-K-2,5-OE	
			Plug M8x1, 3-pin	0.3	543 866	SMT-8M-PS-24V-K-0,3-M8D	
			Plug M12x1, 3-pin	0.3	543 869	SMT-8M-PS-24V-K-0,3-M12	
	Insertable in the slot lengthwise, flush with the cylinder profile	PNP	Cable, 3-wire	2.5	543 870	SMT-8M-NS-24V-K-2,5-OE	
			Plug M8x1, 3-pin	0.3	543 871	SMT-8M-NS-24V-K-0,3-M8D	
			Plug M8x1, 3-pin	0.3	175 436	SMT-8-PS-K-LED-24-B	
			Plug M8x1, 3-pin	0.3	175 484	SMT-8-PS-S-LED-24-B	
N/C contact							
	Insertable in the slot from above, flush with cylinder profile	PNP	Cable, 3-wire	7.5	543 873	SMT-8M-PO-24V-K7,5-OE	

Ordering data – Proximity sensors for T-slot, magnetic reed						Technical data → Internet: sme	
	Type of mounting	Switch output	Electrical connection	Cable length [m]	Part No.	Type	
N/O contact							
	Insertable in the slot from above, flush with cylinder profile	Contacting	Cable, 3-wire	2.5	543 862	SME-8M-DS-24V-K-2,5-OE	
				5.0	543 863	SME-8M-DS-24V-K-5,0-OE	
			Plug M8x1, 3-pin	2.5	543 872	SME-8M-ZS-24V-K-2,5-OE	
				0.3	543 861	SME-8M-DS-24V-K-0,3-M8D	
	Insertable in the slot lengthwise, flush with the cylinder profile	Contacting	Cable, 3-wire	2.5	150 855	SME-8-K-LED-24	
				0.3	150 857	SME-8-S-LED-24	
N/C contact							
	Insertable in the slot lengthwise, flush with the cylinder profile	Contacting	Cable, 3-wire	7.5	160 251	SME-8-0-K-LED-24	

Ordering data – Connecting cables					Technical data → Internet: nebu	
	Electrical connection, left	Electrical connection, right	Cable length [m]	Part No.	Type	
	Straight socket, M8x1, 3-pin	Cable, open end, 3-wire	2.5	541 333	NEBU-M8G3-K-2.5-LE3	
			5	541 334	NEBU-M8G3-K-5-LE3	
	Straight socket, M12x1, 5-pin	Cable, open end, 3-wire	2.5	541 363	NEBU-M12G5-K-2.5-LE3	
			5	541 364	NEBU-M12G5-K-5-LE3	
	Angled socket, M8x1, 3-pin	Cable, open end, 3-wire	2.5	541 338	NEBU-M8W3-K-2.5-LE3	
			5	541 341	NEBU-M8W3-K-5-LE3	
	Angled socket, M12x1, 5-pin	Cable, open end, 3-wire	2.5	541 367	NEBU-M12W5-K-2.5-LE3	
			5	541 370	NEBU-M12W5-K-5-LE3	


Ordering data – Slot cover for T-slot				
	Mounting	Length	Part No.	Type
	Insertable from above	2x 0.5 m	151 680	ABP-5-S



- 1 - Type discontinued SPZ-...-S6
Available up until 2010

Slide units SPZ, twin piston

Accessories

FESTO

Ordering data – One-way flow control valves				Technical data → Internet: grla	
	Connection		Material	Part No.	Type
	Thread	For tubing O.D.			
	M5	3	Metal design	193 137	GRLA-M5-QS-3-D
		4		193 138	GRLA-M5-QS-4-D
		6		193 139	GRLA-M5-QS-6-D
	G $\frac{1}{8}$	3		193 142	GRLA- $\frac{1}{8}$ -QS-3-D
		4		193 143	GRLA- $\frac{1}{8}$ -QS-4-D
		6		193 144	GRLA- $\frac{1}{8}$ -QS-6-D
		8		193 145	GRLA- $\frac{1}{8}$ -QS-8-D

Ordering data – Accessories				Technical data → Internet: zbs	
	For dia. [mm]	Material	Part No.	Type	PE ¹⁾
Centring pin ZBS					
	10, 16	Stainless steel Free of copper, PTFE and silicone	150 928	ZBS-5	10
Centring sleeve ZBH					
	20, 25, 30	Stainless steel Free of copper, PTFE and silicone	150 927	ZBH-9	10

1) Packaging unit quantity