

Mechanically actuated valve VMEF

FESTO



Characteristics

At a glance

Innovative:

- Small and compact for a wide range of pneumatic applications
- Numerous valve functions can be selected: 3/2-way and 5/2-way functions
- Flow rate up to 1200 l/min
- Excellent pneumatic performance for a wide range of tasks
- Lightweight
- Minimal actuating forces

Versatile:

- The flexibility of pneumatic working ports provides a practical way of solving individual requirements
- Round silencer for ducted exhaust air
- Partially suitable for vacuum
- Partial reverse operation possible
- Actuation: direct and pilot operated
- Pressure range from vacuum to 10 bar possible
- Version as stem actuated valve, roller lever valve and roller lever valve with idle return

Operationally safe:

- Durable due to proven piston slide and disc seat valves
- Robust thanks to metal housing and connection thread or connector

Easy to assemble:

- To be mounted via through-holes (stem actuated valves are also suitable for front panel installation)
- Can be precisely adjusted with a mounting kit

Benefits:

- No electronic control required
- No programming effort
- Easy to adjust and connect
- Can be controlled and measured via sensors

Product segmentation



Festo Core Range

Solves the majority of your automation tasks

With the Festo Core Range, we have selected the most important products and functions from our broad product catalogue, and added the quickest delivery. The Core Range offers you the best value with the expected high Festo quality.

- Quickest delivery, worldwide – wherever, whenever
- Expected high Festo quality
- Easy and fast to select

Valve function

[M32] 3/2-way valve, normally closed or open	[M52] 5/2-way valve, single solenoid/monostable
Mechanical spring	Pneumatic spring/mechanical spring
Vacuum operation possible	Vacuum operation possible
directly controlled and pneumatically pilot-operated	partially reversible
Reversible	Pneumatically pilot operated
Ducted exhaust air	Ducted exhaust air

Actuation type

[S] Stem actuated valve	[R] Roller lever valve
3/2-way valve, monostable	3/2-way valve, monostable
5/2-way valve, monostable	5/2-way valve, monostable

Characteristics

[K] Roller lever valve with idle return

3/2-way valve, monostable

5/2-way valve, monostable

Type code

001	Series	
VMEF	Mechanically actuated valve	

002	Actuation type	
S	Stem actuated valve	
R	Roller lever valve	
K	Roller lever valve with idle return	

003	Design principle	
	Piston spool	
T	Poppet valve	

004	Type of control	
	Directly actuated	
C	Indirectly actuated	

005	Pilot air	
	Internal	
Z	External	

006	Valve function	
M32	3/2-way valve, normally closed or open	
M52	5/2-way valve, single solenoid/monostable	

007	Reset method for monostable/single solenoid valves	
E	Pneumatic spring, external	
M	Mechanical spring	

008	Pneumatic connection	
G18	G1/8	
G14	G1/4	

Datasheet

General technical data						
Design	One-way roller lever with idle return, Piston gate valve	Piston gate valve	Piston gate valve, Roller lever	Roller lever, Poppet seat	One-way roller lever with idle return, Poppet seat	Poppet seat
Construction width	20 mm					
Type of piloting	Direct	Direct, Pilot actuated	Direct			Direct, Pilot actuated
Max. actuating speed with lateral actuation	0.7	–	1.4		0.7	–
Instructions on use	Risk of pinching	Do not use as a mechanical stop	Risk of pinching			Do not use as a mechanical stop
Type of actuation	Mechanical					
Type of mounting	With through-hole					
Sealing principle	Soft					
Flow direction	Reversible	Non-reversible, Reversible	Reversible			
Mounting position	optional					
Max. switching frequency	3 Hz					

Technical data – Stem actuated valve 3/2-way valves G1/4		
Pilot air supply	External	Internal
Valve function	3/2-way, closed, monostable	
Standard nominal flow rate	870 l/min	
lap	Zero overlap	
Type of piloting	Pilot actuated	
Type of reset	Mechanical spring	
Pilot air port 12/14	M5	
Nominal size	6 mm	
Actuating force	14 N	

Technical data – Stem actuated valve 3/2-way valves G1/8		
Pilot air supply	External	Internal
Valve function	3/2-way, closed, monostable	
Standard nominal flow rate	750 l/min	
lap	Zero overlap	
Type of piloting	Pilot actuated	
Type of reset	Mechanical spring	
Pilot air port 12/14	M5	
Nominal size	5.6 mm	
Actuating force	14 N	

Technical data – Stem actuated valve 5/2-way valves G1/4			
Pilot air supply	External		Internal
Type of reset	Mechanical spring	Pneumatic spring	Mechanical spring
Valve function	5/2-way, monostable		
Standard nominal flow rate	1,200 l/min		
lap	Positive overlap		
Type of piloting	Pilot actuated		
Pilot air port 12/14	M5		
Nominal size	7 mm		
Actuating force	14 N		

Datasheet

Technical data – Stem actuated valve 5/2-way valves G1/8

Pilot air supply	External	Internal
Type of reset	Mechanical spring	Pneumatic spring
Valve function	5/2-way, monostable	
Standard nominal flow rate	750 l/min	
lap	Positive overlap	
Type of piloting	Pilot actuated	
Pilot air port 12/14	M5	
Nominal size	5.2 mm	
Actuating force	14 N	

Technical data – Roller lever valve 3/2-way valves G1/4

Max. stroke limit (hard)	6.3 mm	11 mm
Standard nominal flow rate	870 l/min	
Valve function	3/2-way, single solenoid	
lap	Zero overlap	
Type of reset	Mechanical spring	
Nominal size	6 mm	
Actuating force	35.2 N	32.7 N

Technical data – Roller lever valve 3/2-way valves G1/8

Max. stroke limit (hard)	6.3 mm	11 mm
Standard nominal flow rate	750 l/min	
Valve function	3/2-way, single solenoid	
lap	Zero overlap	
Type of reset	Mechanical spring	
Nominal size	5.6 mm	
Actuating force	35.2 N	32.7 N

Technical data – Roller lever valve 5/2-way valves G1/4

Max. stroke limit (hard)	11.6 mm	11.8 mm
Type of reset	Mechanical spring	Pneumatic spring
Standard nominal flow rate	1,200 l/min	
Valve function	5/2-way, monostable	
lap	Positive overlap	
Nominal size	7 mm	
Actuating force	38 N	23.5 N

Technical data – Roller lever valve 5/2-way valves G1/8

Max. stroke limit (hard)	11.6 mm	11.8 mm
Standard nominal flow rate	750 l/min	
Valve function	5/2-way, monostable	
lap	Positive overlap	
Type of reset	Mechanical spring, Pneumatic spring	Mechanical spring
Nominal size	5.2 mm	
Actuating force	38 N	23.5 N

Datasheet

Operating and ambient conditions, stem actuated valve

Pilot air supply	External	Internal
Operating medium	Compressed air to ISO 8573-1:2010 [7:-:]	
Note on operating and pilot medium	Lubricated operation possible (in which case lubricated operation will always be required)	
Operating pressure	-0.95 ... 10 bar	2.5 ... 10 bar
Operating pressure	-0.095 ... 1 MPa	0.25 ... 1 MPa
Pilot pressure	2.5 ... 10 bar	
Media temperature	-10 ... 60°C	
Ambient temperature	-10 ... 60°C	
Corrosion resistance class CRC ¹⁾	2 - Moderate corrosion stress	

1) Corrosion resistance class CRC 2 to Festo standard FN 940070. Moderate corrosion stress. Indoor application where condensation can occur. External visible parts with primarily decorative surface requirements that are in direct contact with a normal industrial environment.

Operating and ambient conditions, roller lever valve

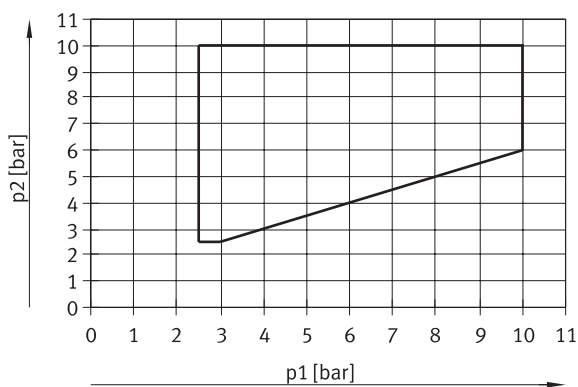
Materials, stem actuated valve

Material housing	Anodised wrought aluminium alloy
Material cover	PA-reinforced
Material mounting adaptor	–
Material seals	NBR
Note on materials	RoHS-compliant

Materials, roller lever valve

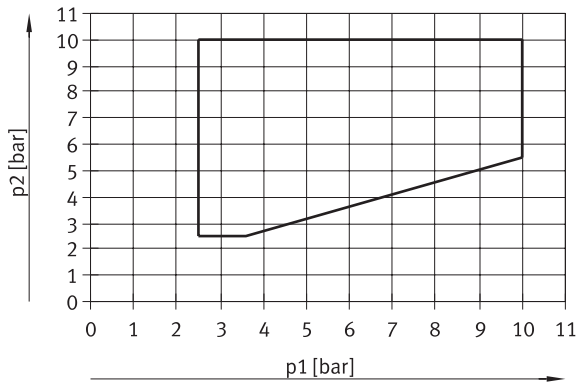
Material housing	Anodised wrought aluminium alloy
Material cover	PA-reinforced
Material mounting adaptor	Galvanised steel
Material seals	NBR
Note on materials	RoHS-compliant

Pilot pressure p2 as a function of external pneumatic spring pressure p1, for piston spool valves VMEF-...-M52...18



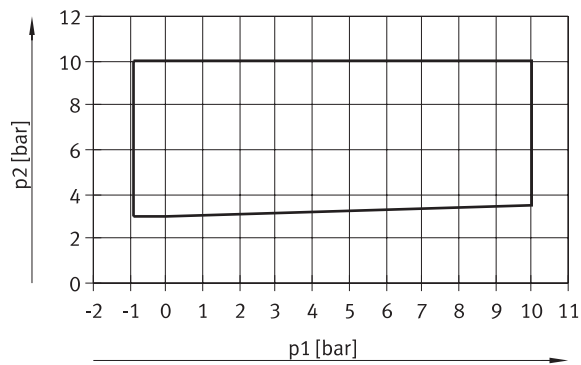
Datasheet

Pilot pressure p_2 as a function of external pneumatic spring pressure p_1 , for piston spool valves VMEF-...-M52...14



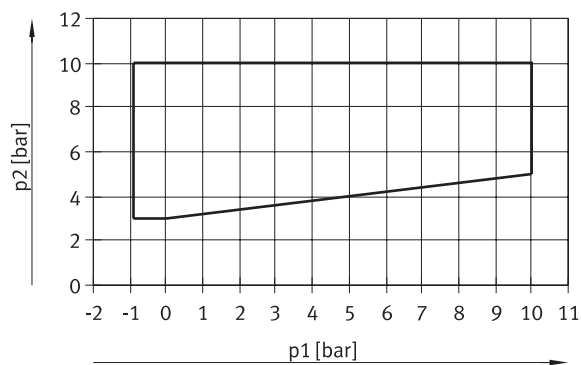
Pilot pressure p_2 as a function of working pressure p_1 , for poppet seat valves VMEF-...-M32... (normally closed)

VMEF



Pilot pressure p_2 as a function of working pressure p_1 , for poppet seat valves VMEF-...-M32... (normally open)

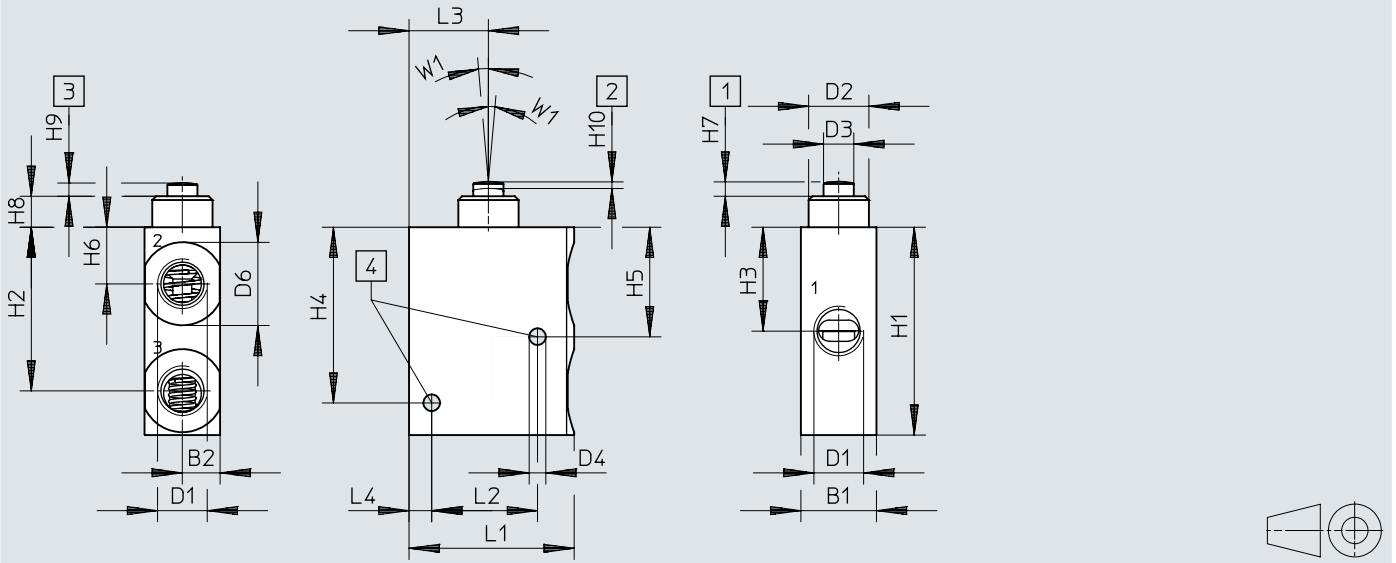
VMEF-G18/G14



Dimensions

Dimensions – Stem actuated 3/2-way valve

Download CAD data → www.festo.com



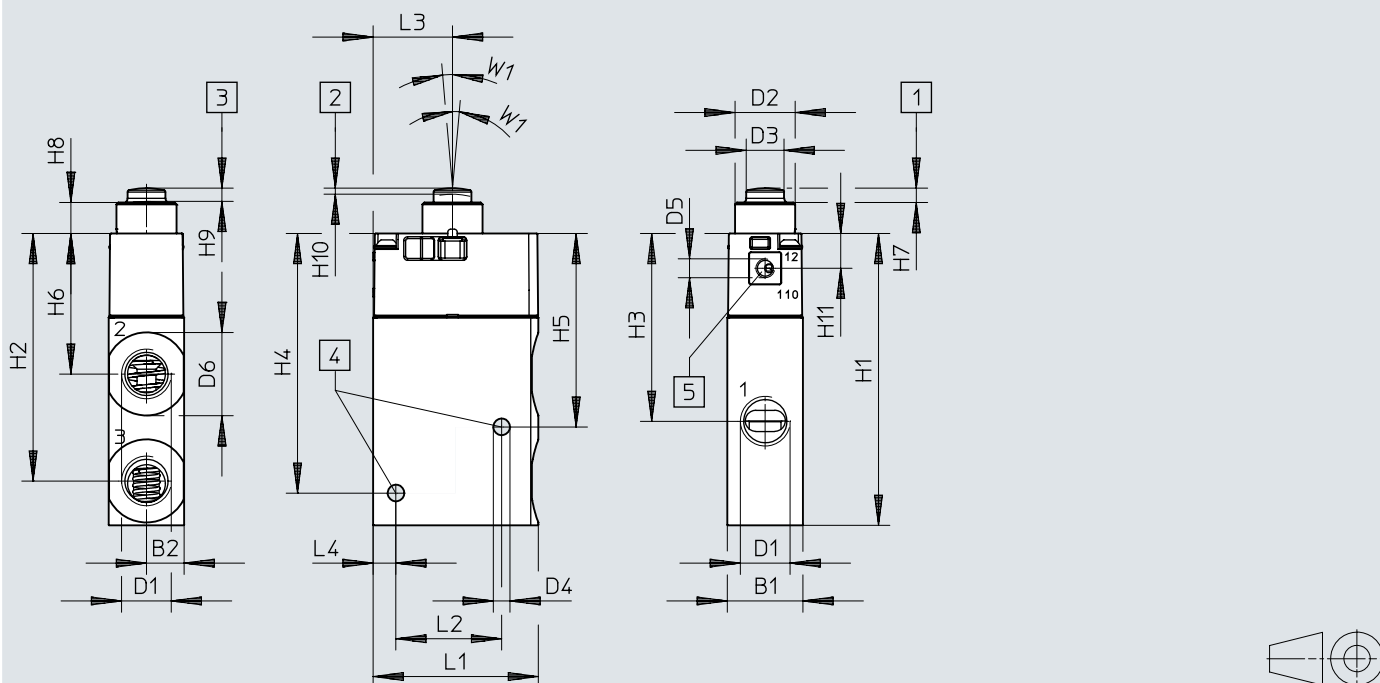
- [1] Normal position
- [2] Start of opening
- [3] Maximum stroke
- [4] Mounting hole

VMEF	B1	B2	D1	D2 ∅	D3 ∅	D4 ∅	D6 ∅	L1	L2	L3	L4
VMEF-ST-M32-M-G18	20	10	G1/8	16,0	8,0	4,4	16,5	43,7	28	21	6
VMEF-ST-M32-M-G14			G1/4				22				
VMEF	H1	H2	H3	H4	H5	H6	H7 ±0,2	H8	H9 ±0,3	H10 ±0,3	W1
VMEF-ST-M32-M-G18	55	43,3	27,5	46,5	29	15	3,8	8,2	3,5	1,8	5°
VMEF-ST-M32-M-G14											

Dimensions

Dimensions – Stem actuated 3/2-way valve and 3/2-way valve with external pilot air supply

Download CAD data → www.festo.com



- [1] Normal position
- [2] Start of opening
- [3] Maximum stroke
- [4] Mounting hole
- [5] Pilot air port 12 (110)

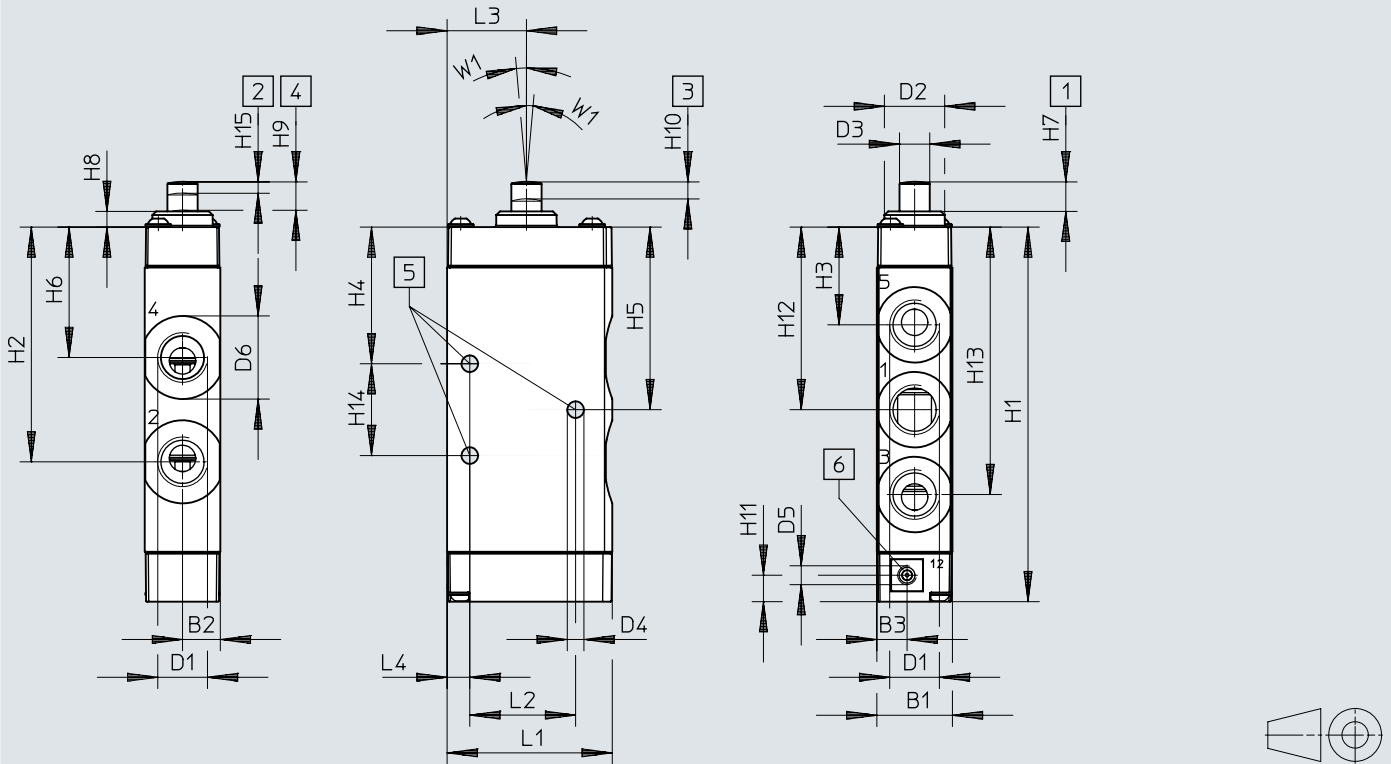
VMEF	B1	B2	D1	D2 ∅	D3 ∅	D4 ∅	D5	D6 ∅	L1	L2	L3	L4
VMEF-STC-M32-M-G18	20	10	G1/8	15,9	10	4,4	-	16,5	43,7	28	21	6
VMEF-STC-M32-M-G14			G1/4					22				
VMEF-STCZ-M32-M-G18			G1/8					16,5				
VMEF-STCZ-M32-M-G14			G1/4					22				

VMEF	H1	H2	H3	H4	H5	H6	H7 ±0,15	H8	H9 ±0,15	H10 ±0,4	H11	W1
VMEF-STC-M32-M-G18	77,2	65,5	49,7	68,7	51,2	37,2	3,8	8,2	3,5	1,6	9,2	5°
VMEF-STC-M32-M-G14												
VMEF-STCZ-M32-M-G18												
VMEF-STCZ-M32-M-G14												

Dimensions

Dimensions – Stem actuated 5/2-way valve

Download CAD data → www.festo.com



- [1] Normal position
- [2] Start of closing
- [3] Start of opening
- [4] Maximum stroke
- [6] Mounting hole
- [7] Pilot air port 12

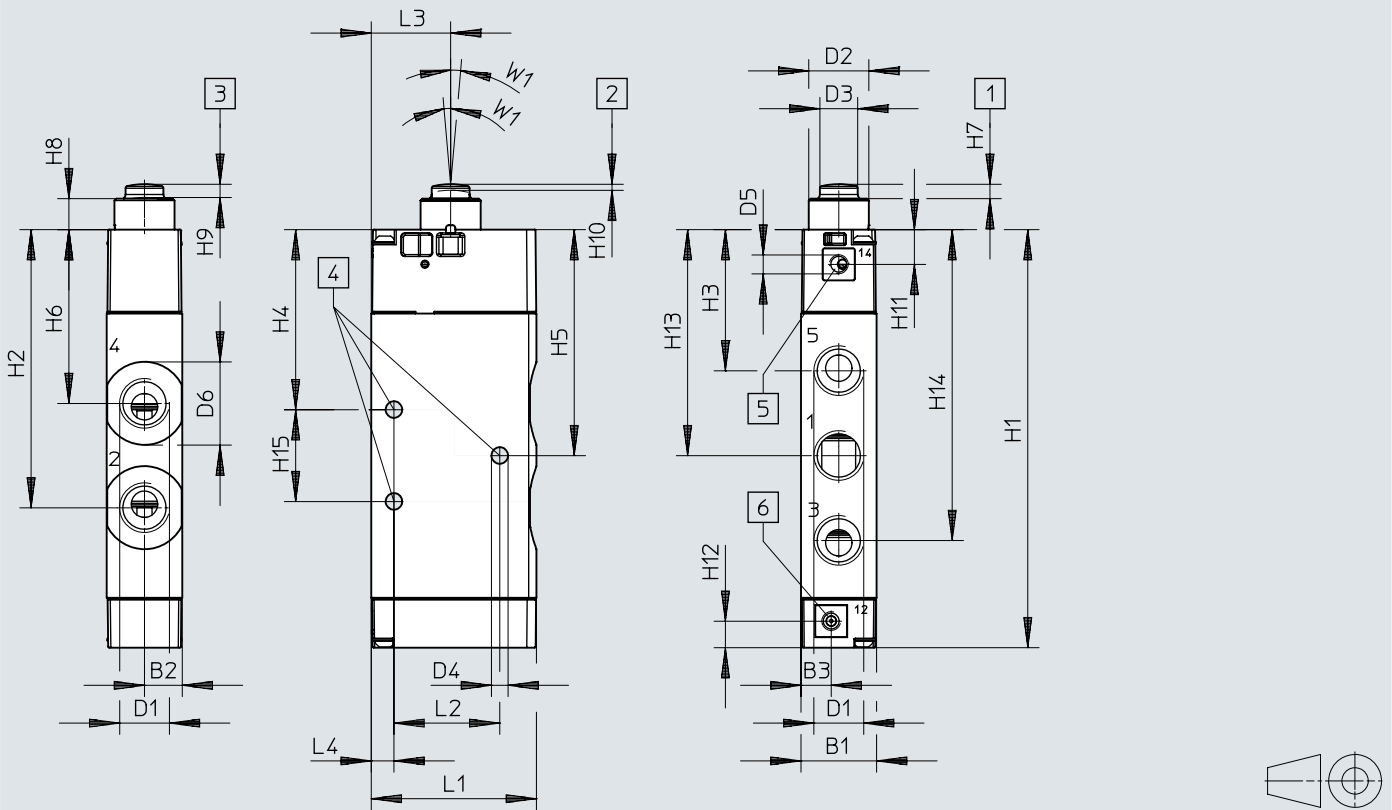
VMEF	B1	B2	B3	D1	D2 ø	D3 ø	D4 ø	D5	D6 ø	L1	L2	L3	L4	H1	H2
VMEF-S-M52-M-G18	20	10	8	G1/8	16	8	4,4	-	16,5	43,7	28	21	6	82,6	49,9
VMEF-S-M52-E-G18				M5											
VMEF-S-M52-M-G14				G1/4				-							
VMEF-S-M52-E-G14				M5				22							

VMEF	H3	H4	H5	H6	H7 ±0,15	H8	H9 ±0,15	H10 ±0,15	H11	H12	H13	H14	H15 ±0,15	W1									
VMEF-S-M52-M-G18	23,1	31,1	40,1	30,3	7,8	4,2	7,5	4,2	7	40,1	57,1	18	3	5°									
VMEF-S-M52-E-G18															4,5	48,3	70,8	24,3					
VMEF-S-M52-M-G14								25,9	36,2	48,3	34,5	7,8			4,2	7,5	4,5	7	48,3	70,8	24,3	3	5°
VMEF-S-M52-E-G14																							

Dimensions

Dimensions – Stem actuated 5/2-way valve and 5/2-way valve with external pilot air supply

Download CAD data → www.festo.com



- [1] Normal position
- [2] Start of opening
- [3] Maximum stroke
- [4] Mounting hole
- [5] Pilot air port 14
- [6] Pilot air port 12

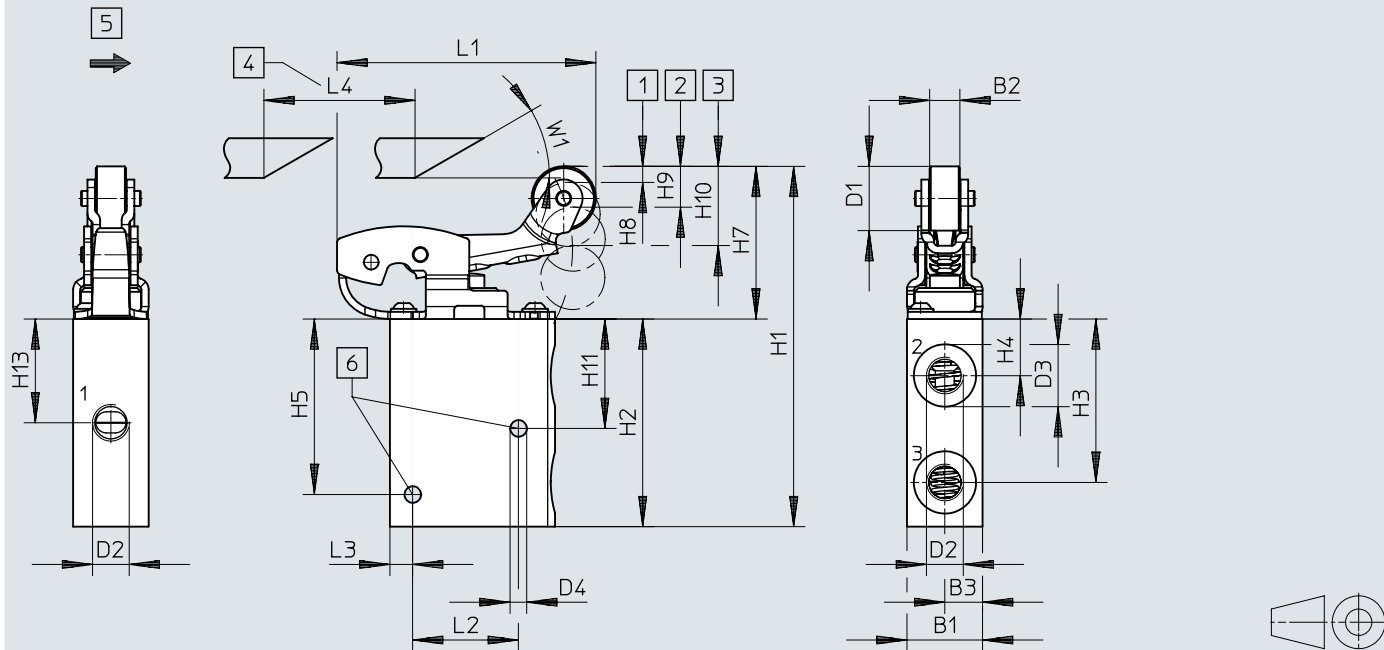
VMEF	B1	B2	B3	D1	D2 ∅	D3 ∅	D4 ∅	D5	D6 ∅	L1	L2	L3	L4
VMEF-SC-M52-M-G18	20	10	8	G1/8	15,9	10	4,4	-	16,5	43,7	28	21	6
VMEF-SCZ-M52-M-G18				G1/8				M5					
VMEF-SCZ-M52-E-G18				G1/8				-					
VMEF-SC-M52-M-G14				G1/4				-					
VMEF-SCZ-M52-M-G14				G1/4				M5					
VMEF-SCZ-M52-E-G14				G1/4				M5					

VMEF	H1	H2	H3	H4	H5	H6	H7 ±0,15	H8	H9 ±0,15	H10 ±0,4	H11	H12	H13	H14	H15	W1
VMEF-SC-M52-M-G18	94,1	61,4	34,6	42,6	51,6	41,8	3,8	8,2	3,5	1,6	9,2	7	51,6	68,6	18	5°
VMEF-SCZ-M52-M-G18																
VMEF-SCZ-M52-E-G18																
VMEF-SC-M52-M-G14	110,6	73,6	37,4	47,7	59,8	46	3,8	8,2	3,5	1,6	9,2	7	59,8	82,3	24,3	5°
VMEF-SCZ-M52-M-G14																
VMEF-SCZ-M52-E-G14																

Dimensions

Dimensions – Roller lever valve 3/2-way valve, roller lever

Download CAD data → www.festo.com



- [1] Start of opening
- [2] Max. opening
- [3] Max. stroke
- [4] Cam travel
- [5] Actuation direction
- [6] Mounting hole

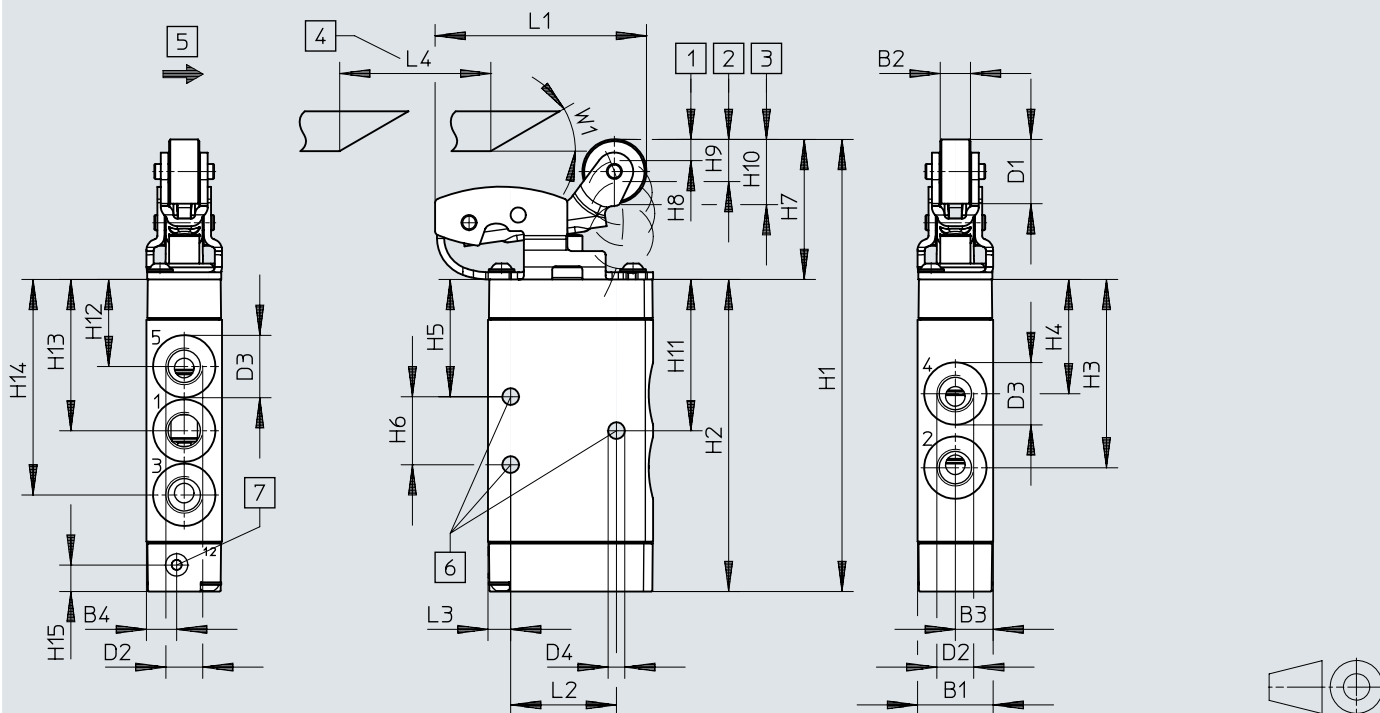
VMEF	B1	B2	B3	D1 ø	D2	D3	D4 ø	L1	L2	L3	L4 min.
VMEF-RT-M32-M-G18	20	8	10	17	G1/8	16,5	4,4	68,5	28	6	40
VMEF-RT-M32-M-G14					G1/4	22					

VMEF	H1	H2	H3	H4	H5	H7	H8	H9	H10	H11	H13	W1
VMEF-RT-M32-M-G18	91,9	55	43,3	15	46,5	37	6	6	10	29	27,5	30°
VMEF-RT-M32-M-G14												

Dimensions

Dimensions – Roller lever valve 5/2-way valve, roller lever

Download CAD data → www.festo.com



- [1] Start of opening
- [2] Max. opening
- [3] Max. stroke
- [4] Cam travel
- [5] Actuation direction
- [6] Mounting hole
- [7] Pilot air port 12

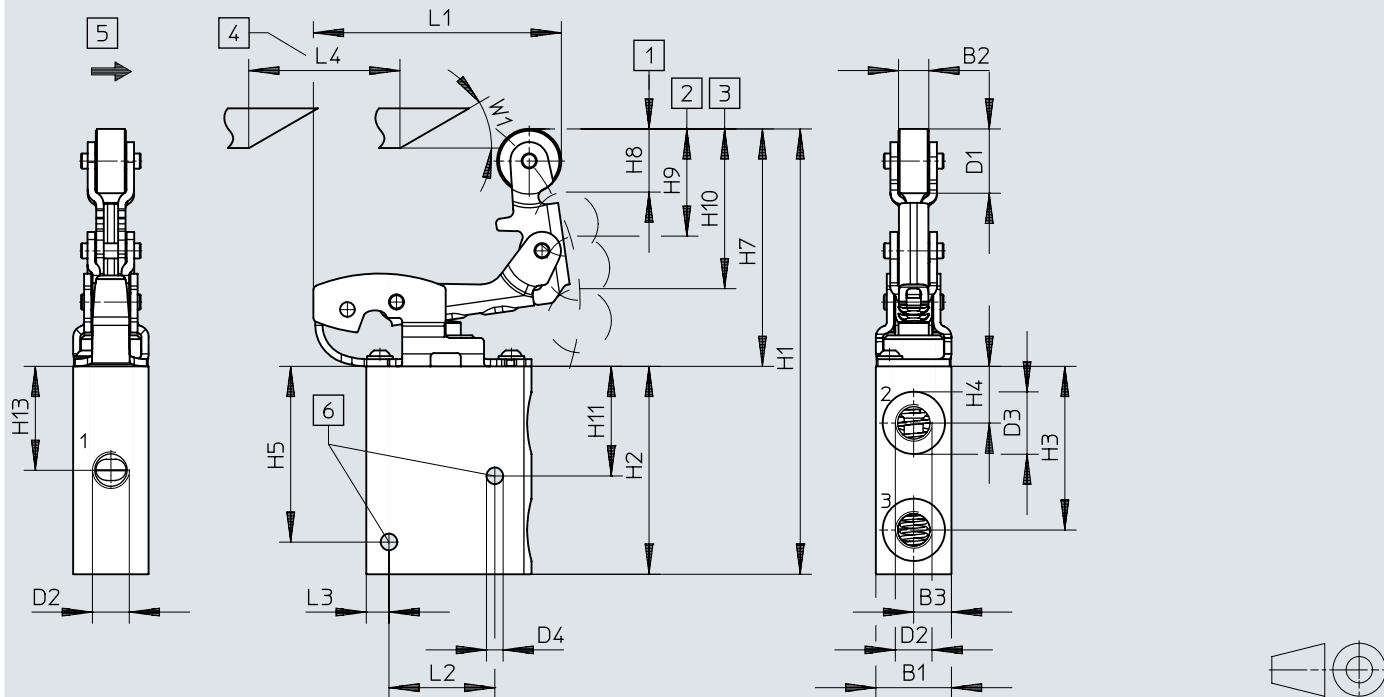
VMEF	B1	B2	B3	B4	D1 ∅	D2	D3	D4	L1	L2	L3	L4 min.	H1	H2
VMEF-R-M52-...G18	20	8	10	8	17	G1/8	16,5	4,4	56	28	6	40	119,6	82,6
VMEF-R-M52-...G14						G1/4	22						136,1	99,1

VMEF	H3	H4	H5	H6	H7	H8	H9	H10	H11	H12	H13	H14	H15	W1
VMEF-R-M52-...G18	49,9	30,3	31,1	18	37	7	5	11	40,1	23,1	40,1	57,1	7	30°
VMEF-R-M52-...G14	62,1	34,5	36,2	24,3					48,3	25,9	48,3	70,8		

Dimensions

Dimensions – Roller lever valve 3/2-way valve, roller lever with idle return

Download CAD data → www.festo.com



- [1] Start of opening
- [2] Max. opening
- [3] Max. stroke
- [4] Cam travel
- [5] Actuation direction
- [6] Mounting hole

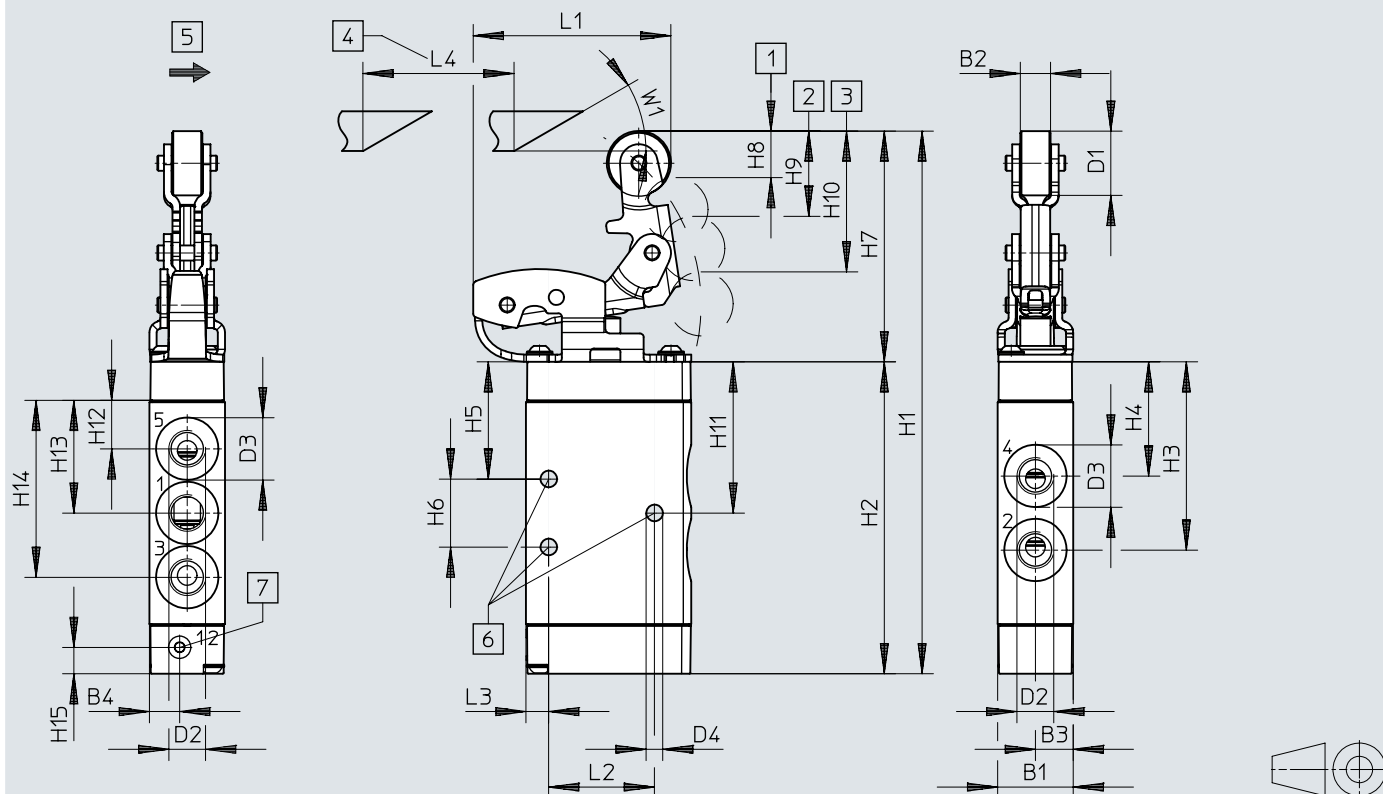
VMEF	B1	B2	B3	D1 ∅	D2	D3	D4 ∅	L1	L2	L3	L4 min.
VMEF-KT-M32-M-G18	20	8	10	17	G1/8	16,5	4,4	65,6	28	6	40
VMEF-KT-M32-M-G14					G1/4	22					

VMEF	H1	H2	H3	H4	H5	H7	H8	H9	H10	H11	H13	W1
VMEF-KT-M32-M-G18	117,2	55	43,3	15	46,5	62	6	6	10	29	27,5	30°
VMEF-KT-M32-M-G14												

Dimensions

Dimensions – Roller lever valve 5/2-way valve, roller lever with idle return

Download CAD data → www.festo.com



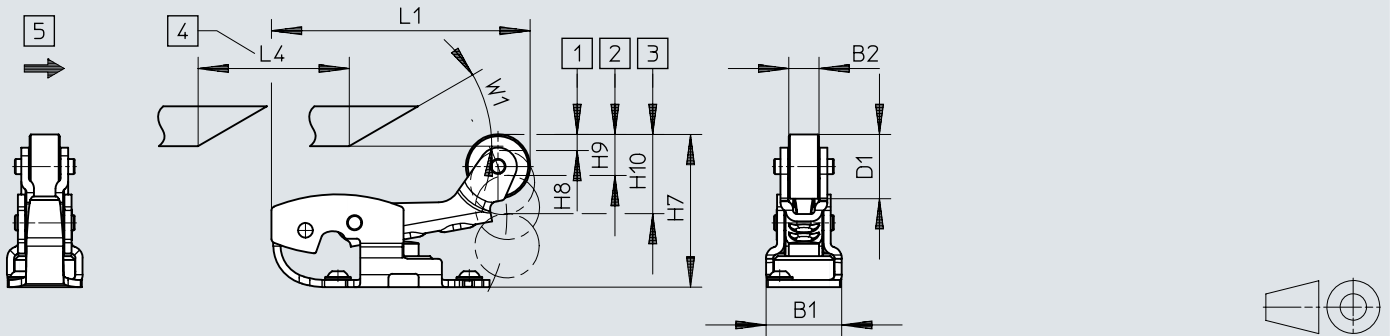
- [1] Start of opening
- [2] Max. opening
- [3] Max. stroke
- [4] Cam travel
- [5] Actuation direction
- [6] Mounting hole
- [7] Pilot air port 12

VMEF	B1	B2	B3	B4	D1 ∅	D2	D3	D4	L1	L2	L3	L4 min.	H1	H2
VMEF-K-M52-...G18	20	8	10	8	17	G1/8	16,5	4,4	52,4	28	6	40	143,5	82,6
VMEF-K-M52-...G14						G1/4	22						160	99,1

VMEF	H3	H4	H5	H6	H7	H8	H9	H10	H11	H12	H13	H14	H15	W1
VMEF-K-M52-...G18	49,9	30,3	31,1	18	61	7	5	11	40,1	23,1	40,1	57,1	7	30°
VMEF-K-M52-...G14	62,1	34,5	36,2	24,3					48,3	25,9	48,3	70,8		

Dimensions

Dimensions – Actuator attachments VAOM, roller lever for 3/2-way valves

Download CAD data → www.festo.com

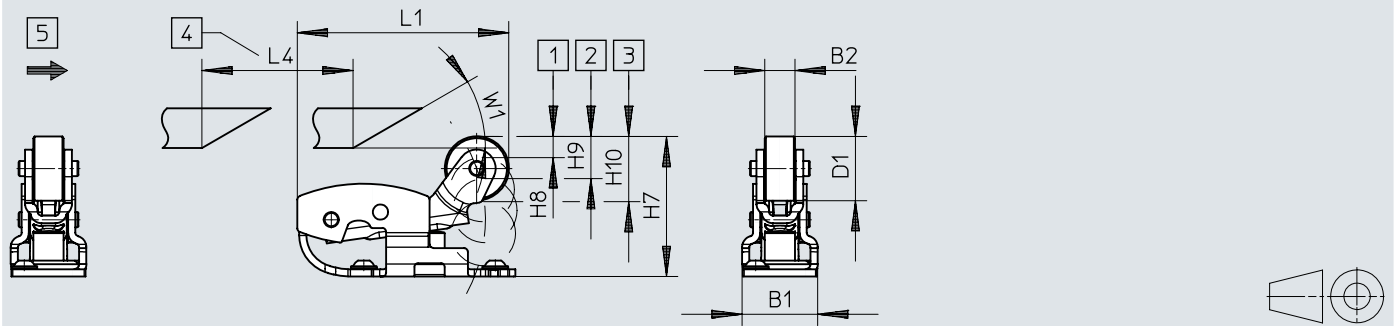
- [1] Start of opening
- [2] Max. opening
- [3] Max. stroke
- [4] Cam travel
- [5] Actuation direction

VAOM	B1	B2	D1 ∅	L1	L4 min.	H7 ±0,1	H8 ±0,1	H9 ±0,1	H10 ±0,1	W1
VAOM-R4-20-D1-32	20	8	17	68,5	40	36,9	2,9	2,9	6,3	30°

Dimensions

Dimensions – Actuator attachments VAOM, roller lever for 5/2-way valves

Download CAD data → www.festo.com



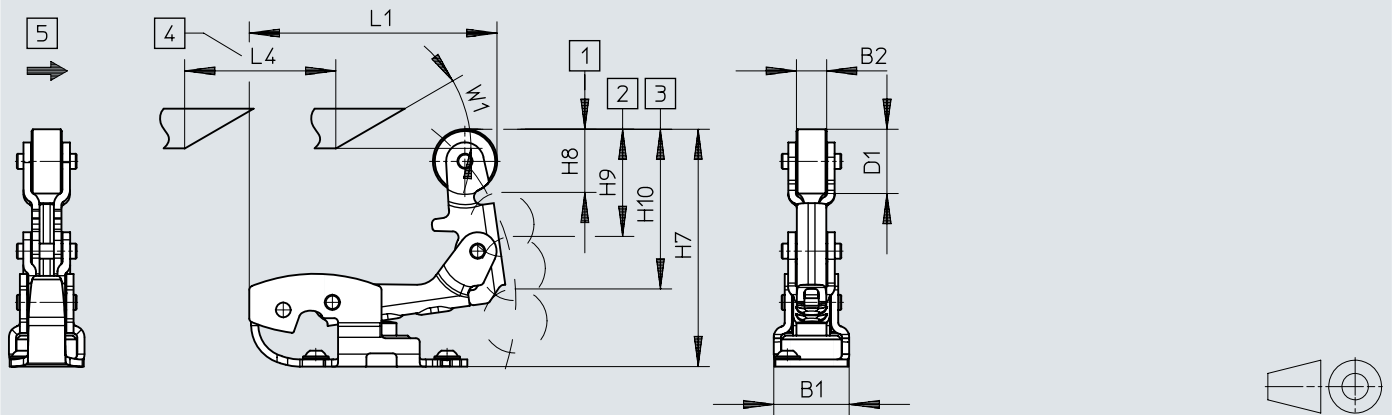
- [1] Start of opening
- [2] Max. opening
- [3] Max. stroke
- [4] Cam travel
- [5] Actuation direction

VAOM	B1	B2	D1 ∅	L1	L4 min.	H7 ±0,2	H8 ±0,3	H9 ±0,2	H10 ±0,1	W1
VAOM-R4-20-D1-52	20	8	17	56	40	37	7,3	7,6	11,6	30°

Dimensions

Dimensions – Actuator attachments VAOM, roller lever with idle return for
3/2-way valves

Download CAD data → www.festo.com



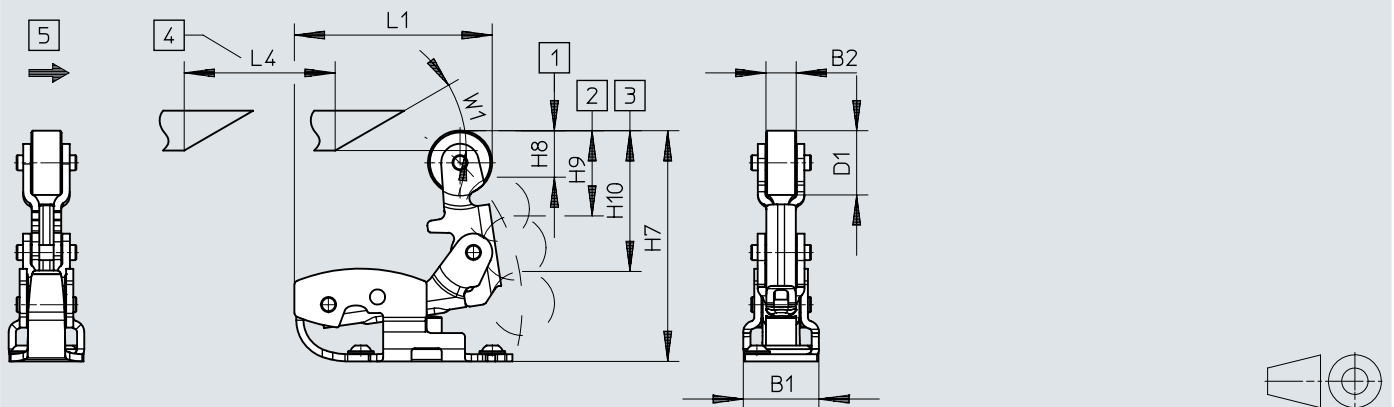
- [1] Start of opening
- [2] Max. opening
- [3] Max. stroke
- [4] Cam travel
- [5] Actuation direction

VAOM	B1	B2	D1 ∅	L1	L4 min.	H7 ±0,2	H8 ±0,2	H9 ±0,2	H10 ±0,1	W1
VAOM-R4-20-D2-32	20	8	17	65,6	40	62,2	5,9	5,8	11,1	30°

Dimensions

Dimensions – Actuator attachments VAOM, roller lever with idle return for 5/2-way valves

Download CAD data → www.festo.com



- [1] Start of opening
- [2] Max. opening
- [3] Max. stroke
- [4] Cam travel
- [5] Actuation direction

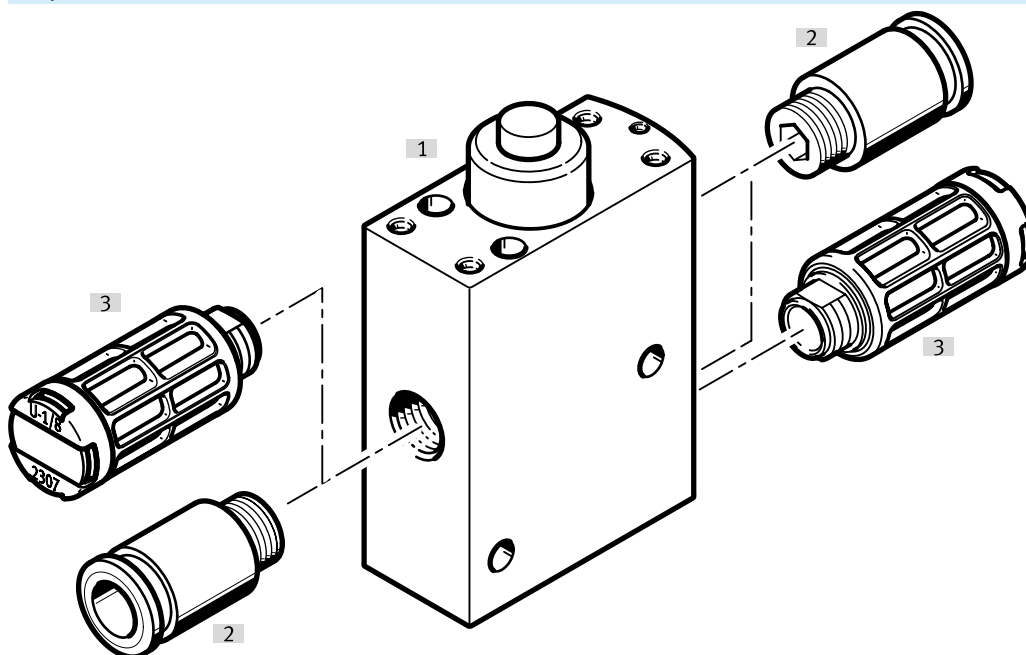
VAOM	B1	B2	D1 ∅	L1	L4 min.	H7 ±0,1	H8 ±0,3	H9 ±0,3	H10 ±0,1	W1
VAOM-R4-20-D2-52	20	8	17	52,4	40	60,9	7,4	7,7	11,8	30°

Ordering data

Ordering data								
Design	Type of piloting	Type of reset	Flow direction	Product weight	Part no.	Type		
One-way roller lever with idle return, Piston gate valve	Direct	Mechanical spring	Reversible	255 g	8049240	VMEF-K-M52-M-G18		
				286 g	8047102	VMEF-K-M52-M-G14		
One-way roller lever with idle return, Poppet seat				218 g	8047103	VMEF-KT-M32-M-G14		
				Piston gate valve	145 g	★ 8031297	VMEF-S-M52-M-G18	
178 g					★ 8031302	VMEF-S-M52-M-G14		
Piston gate valve				Pilot actuated	Non-reversible	184 g	8031319	VMEF-SC-M52-M-G14
	Reversible	151 g	8031328			VMEF-SCZ-M52-M-G18		
One-way roller lever with idle return, Poppet seat	Direct	Mechanical spring	Reversible	227 g	8049241	VMEF-KT-M32-M-G18		
Piston gate valve, Roller lever				240 g	★ 8049238	VMEF-R-M52-M-G18		
				Piston gate valve	144 g	8031299	VMEF-S-M52-E-G18	
Piston gate valve					Pneumatic spring	177 g	8031304	VMEF-S-M52-E-G14
				Pilot actuated		Mechanical spring	Non-reversible	151 g
Pneumatic spring					Reversible		184 g	8031327
	Piston gate valve, Roller lever	Direct	Mechanical spring	Reversible		150 g	8031324	VMEF-SCZ-M52-E-G18
183 g					8031323	VMEF-SCZ-M52-E-G14		
272 g					★ 8047094	VMEF-R-M52-M-G14		
240 g					8047092	VMEF-R-M52-E-G18		
272 g					8047093	VMEF-R-M52-E-G14		
Poppet seat					Mechanical spring	110 g	★ 8031300	VMEF-ST-M32-M-G14
	116 g	★ 8031295	VMEF-ST-M32-M-G18					
Roller lever, Poppet seat	204 g	★ 8047095	VMEF-RT-M32-M-G14					
	209 g	★ 8049239	VMEF-RT-M32-M-G18					
Poppet seat	Pilot actuated	124 g	8031336	VMEF-STCZ-M32-M-G14				
		131 g	8031332	VMEF-STC-M32-M-G14				
				8031335	VMEF-STCZ-M32-M-G18			
				8031331	VMEF-STC-M32-M-G18			

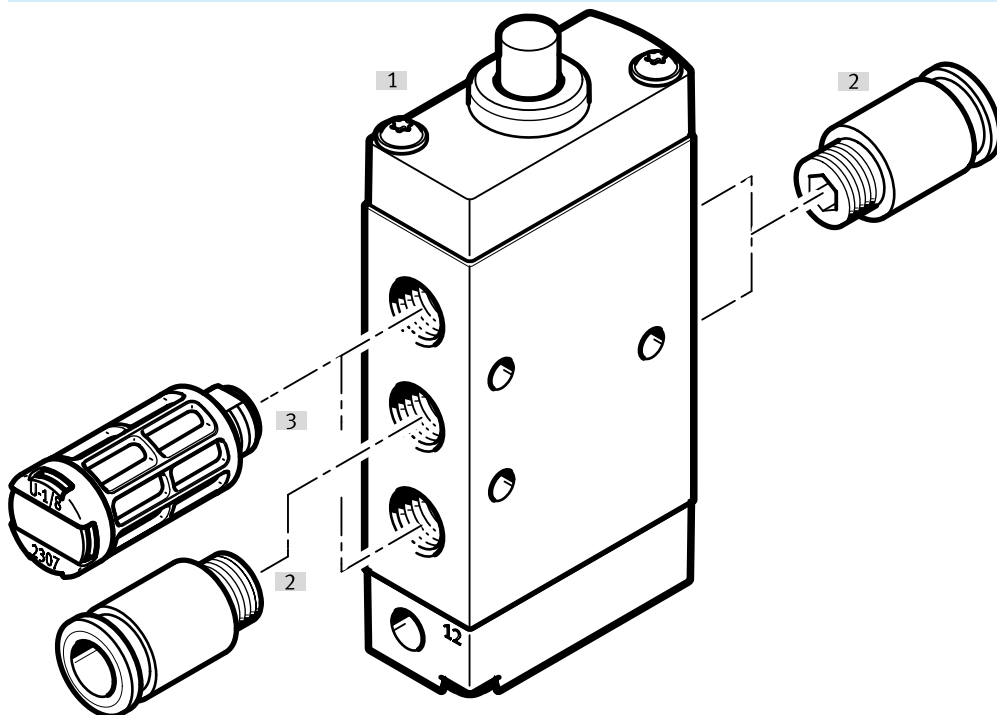
Peripherals

Peripherals overview, stem actuated valve 3/2



Accessories			→ Page/Internet
Type/order code	Description		
[1] 3/2-way valve	Stem actuated valve		
[2] Fitting	For working air/exhaust air connections (1, 3, 5) and working connections (2, 4)		27
[3] Silencer	For exhaust air connections (3, 5)		28

Peripherals overview, stem actuated valve 5/2

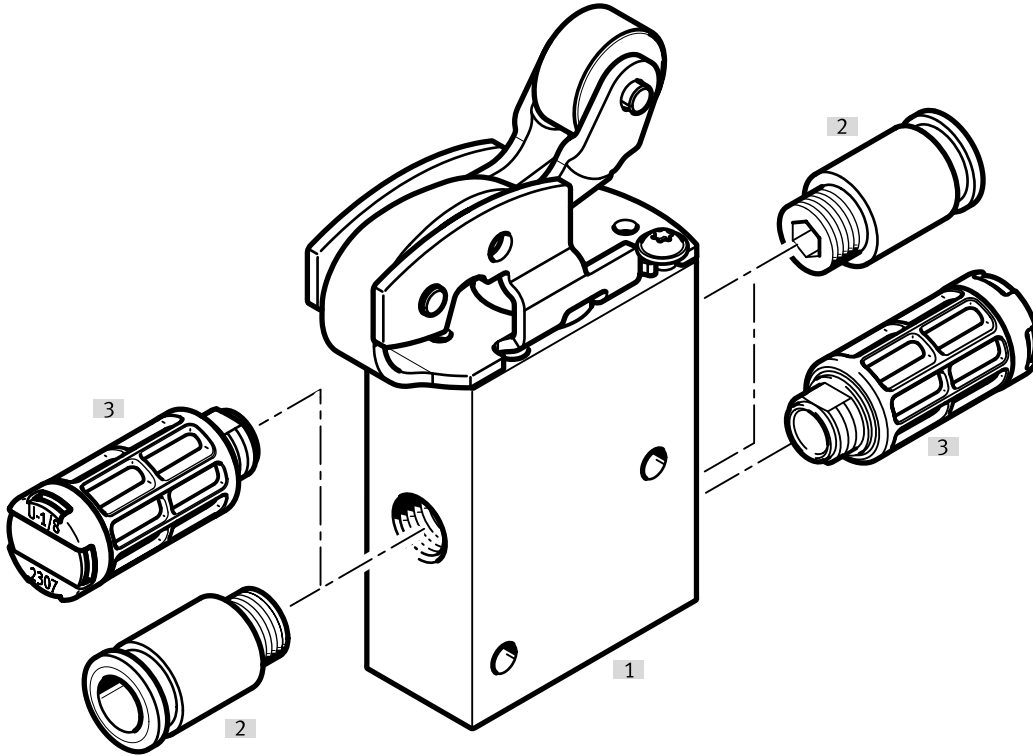


Accessories			→ Page/Internet
Type/order code	Description		
[1] 5/2-way valve	Stem actuated valve		
[2] Fitting	For working air/exhaust air connections (1, 3, 5) and working connections (2, 4)		27

Peripherals

Accessories		→ Page/Internet
Type/order code	Description	
[3]	Silencer	28

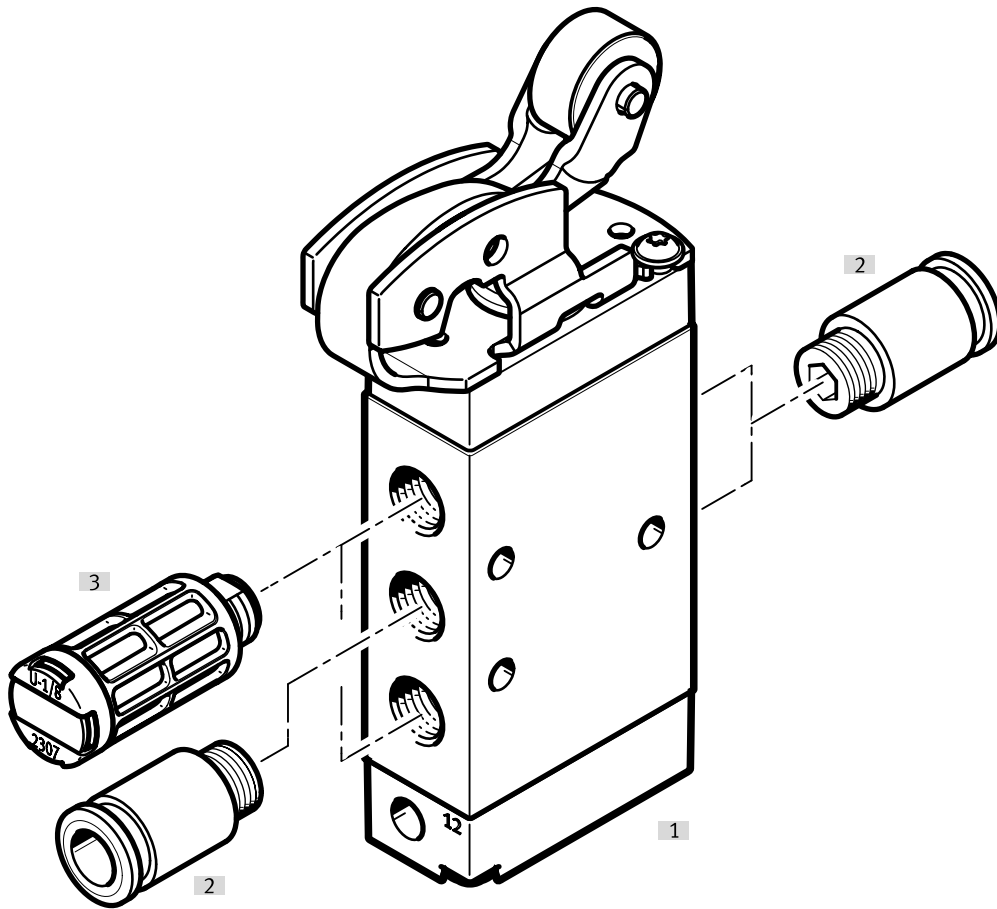
Peripherals overview, roller lever valve 3/2



Accessories		→ Page/Internet
Type/order code	Description	
[1]	3/2-way valve	
[2]	Fitting	27
[3]	Silencer	28

Peripherals

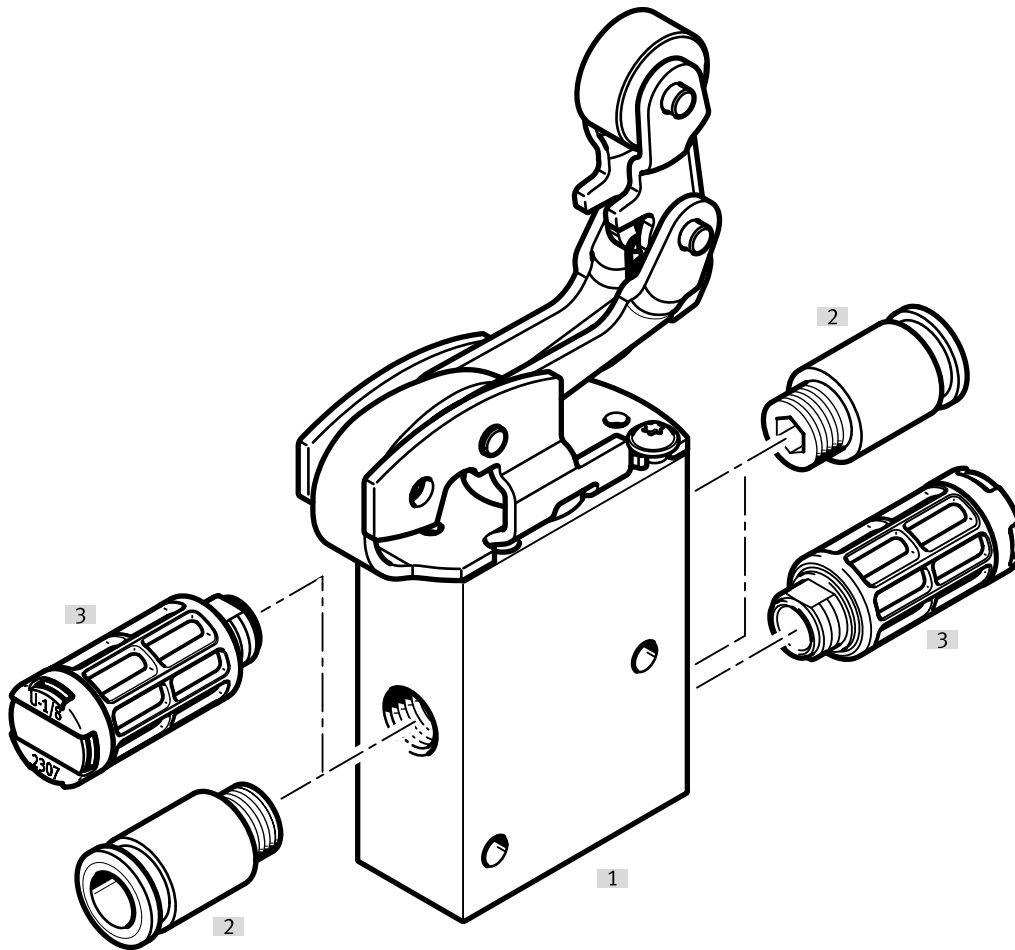
Peripherals overview, roller lever valve 5/2



Accessories			→ Page/Internet
Type/order code	Description		
[1]	5/2-way valve	Stem actuated valve with roller lever attachment	
[2]	Fitting	For working air/exhaust air connections (1, 3, 5) and working connections (2, 4)	27
[3]	Silencer	For exhaust air connections (3, 5)	28

Peripherals

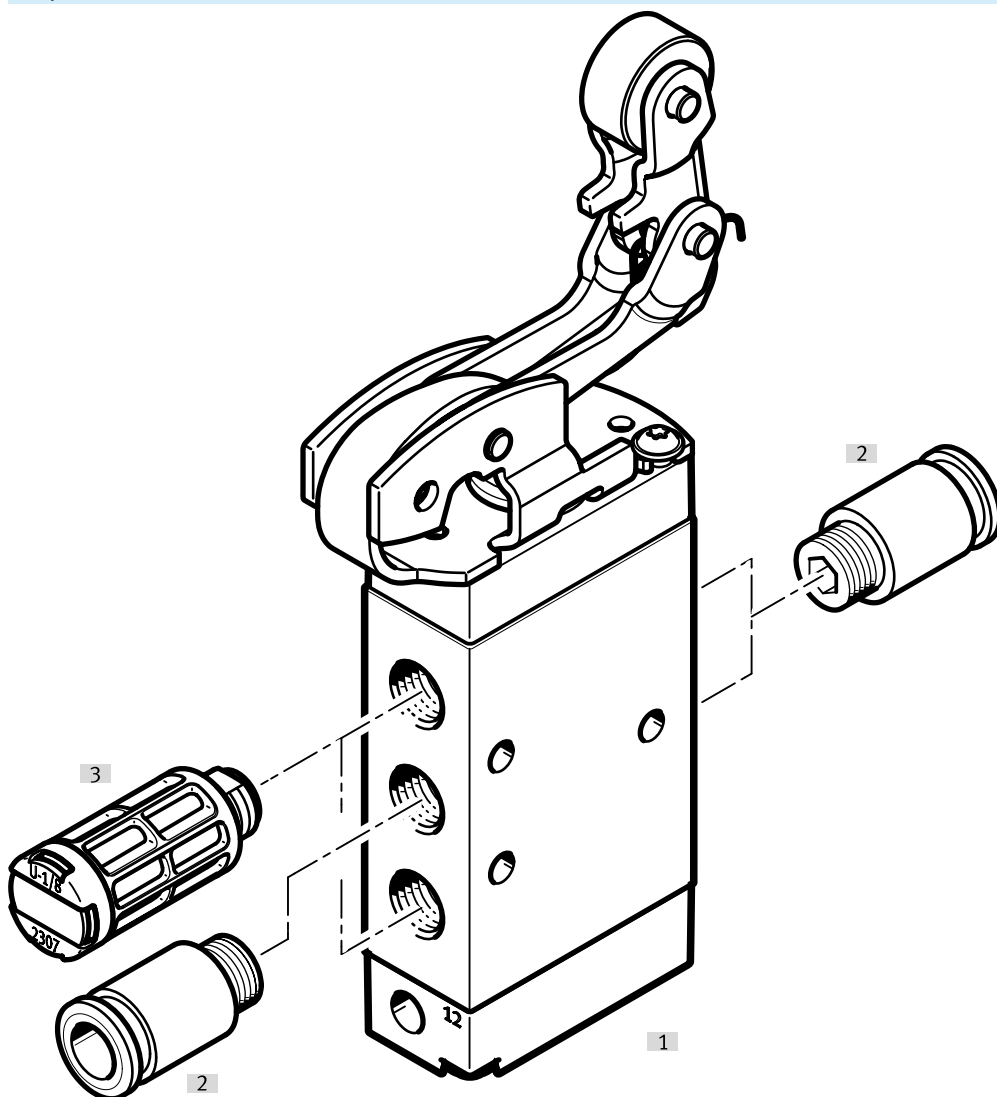
Peripherals overview, roller lever valve with idle return 3/2



Accessories			→ Page/Internet
Type/order code	Description		
[1] 3/2-way valve	Stem actuated valve with idle return roller lever attachment		
[2] Fitting	For working air/exhaust air connections (1, 3, 5) and working connections (2, 4)		27
[3] Silencer	For exhaust air connections (3, 5)		28


Peripherals


Peripherals overview, roller lever valve with idle return 5/2





Accessories			→ Page/Internet
Type/order code	Description		
[1] 5/2-way valve	Stem actuated valve with idle return roller lever attachment		
[2] Fitting	For working air/exhaust air connections (1, 3, 5) and working connections (2, 4)		27
[3] Silencer	For exhaust air connections (3, 5)		28


Accessories

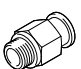
Roller lever, for 3/2-way valves, with retaining screws			
	Type of mounting	Part no.	Type
	Screw-clamped	8049235	VAOM-R4-20-D1-32

Roller lever, for 5/2-way valves, with retaining screws			
	Type of mounting	Part no.	Type
	Screw-clamped	8049233	VAOM-R4-20-D1-52

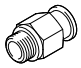
Roller lever with idle return, for 3/2-way valves, with retaining screws			
	Type of mounting	Part no.	Type
	Screw-clamped	8049237	VAOM-R4-20-D2-32

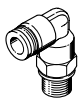
Roller lever with idle return, for 5/2-way valves, with retaining screws			
	Type of mounting	Part no.	Type
	Screw-clamped	8049236	VAOM-R4-20-D2-52

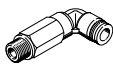
Push-in fitting, straight, with internal hexagon					
	Pneumatic connection, port 1	Pneumatic connection, port 2	Packaging unit [units]	Part no.	Type
	Male thread M5	For tubing outside diameter of 4 mm	10	★ 153315	QSM-M5-4-I
	Male thread G1/4	For tubing outside diameter of 6 mm		★ 186108	QS-G1/4-6-I
		For tubing outside diameter of 8 mm		★ 186110	QS-G1/4-8-I
		For tubing outside diameter of 10 mm		★ 186112	QS-G1/4-10-I


Push-in fitting, straight, with external hexagon					
	Pneumatic connection, port 1	Pneumatic connection, port 2	Packaging unit [units]	Part no.	Type
	Male thread M5	For tubing outer diameter of 3 mm	10	153302	QSM-M5-3
		For tubing outside diameter of 4 mm		★ 153304	QSM-M5-4
		For tubing outside diameter of 6 mm		★ 153306	QSM-M5-6
	Male thread G1/8	For tubing outside diameter of 4 mm		★ 186095	QS-G1/8-4
		For tubing outside diameter of 6 mm		★ 186096	QS-G1/8-6
	Male thread G1/4	For tubing outside diameter of 6 mm		★ 186097	QS-G1/4-6
		For tubing outside diameter of 8 mm		★ 186099	QS-G1/4-8
		For tubing outside diameter of 10 mm		★ 186101	QS-G1/4-10


Accessories

Push-in fitting, straight, with external hexagon					
	Pneumatic connection, port 1	Pneumatic connection, port 2	Packaging unit [units]	Part no.	Type
	Male thread G1/4	For tubing outer diameter of 12 mm	10	★ 186350	QS-G1/4-12

Push-in fitting, angled, with external hexagon					
	Pneumatic connection, port 1	Pneumatic connection, port 2	Packaging unit [units]	Part no.	Type
	Male thread G1/8	For tubing outside diameter of 4 mm	10	★ 186116	QSL-G1/8-4
			100	132048	QSL-G1/8-4-100
		For tubing outside diameter of 6 mm	10	★ 186117	QSL-G1/8-6
			100	132049	QSL-G1/8-6-100
		For tubing outside diameter of 8 mm	10	★ 186119	QSL-G1/8-8
			50	132050	QSL-G1/8-8-50
	Male thread G1/4	For tubing outside diameter of 8 mm	10	★ 186120	QSL-G1/4-8
			50	132052	QSL-G1/4-8-50
		For tubing outside diameter of 10 mm	10	★ 186122	QSL-G1/4-10
			50	132053	QSL-G1/4-10-50
		For tubing outer diameter of 12 mm	10	★ 186351	QSL-G1/4-12
			20	132054	QSL-G1/4-12-20

Push-in fitting, angled, long, with external hexagon					
	Pneumatic connection, port 1	Pneumatic connection, port 2	Packaging unit [units]	Part no.	Type
	Male thread G1/8	For tubing outside diameter of 4 mm	10	186127	QSL-G1/8-4
			100	133015	QSL-G1/8-4-100
		For tubing outside diameter of 6 mm	10	★ 186128	QSL-G1/8-6
			100	133016	QSL-G1/8-6-100
		For tubing outside diameter of 8 mm	10	★ 186130	QSL-G1/8-8
			100	133017	QSL-G1/8-8-100

Silencer, polymer					
	Pneumatic connection	Product weight	Part no.	Type	
	G1/8	2.3 g	★ 2307	U-1/8	
			534222	U-1/8-50	
	G1/4	7.7 g	★ 2316	U-1/4	
			534223	U-1/4-20	

Silencer, metal					
	Pneumatic connection	Product weight	Part no.	Type	
	G1/8	8 g	6841	U-1/8-B	
	G1/4	17 g	6842	U-1/4-B	

Mounting kit for switching point adjustment					
	Product weight	Part no.	Type		
	70 g	8060046	VAME-R4-20-PA		